



**INCLUDES 1 YEAR PARTS + LABOR / 5 YEAR COMPRESSOR WARRANTY**  
**SST-72-30 3 DOOR MEGA TOP SANDWICH/SALAD PREP REFRIGERATOR**

**Dimensions**

Exterior Dimensions (WxDxH)	70.25" x 34" x 46.25"
Interior Dimensions Top (WxDxH)	66" x 21.5" x 8.5"
Interior Dimensions Bottom (WxDxH)	67" x 19.5" x 20"
Cutting Board Dimensions (WxDxH)	70.25" x 8.0" x .75"
Net Volume (cu. ft.)	18 cu. ft.
Gross Weight	523 lbs
Packaging Dimensions (WxDxH)	75" x 38.5" x 49.5"
Electrical Cord Length	98.5"

**Cooling**

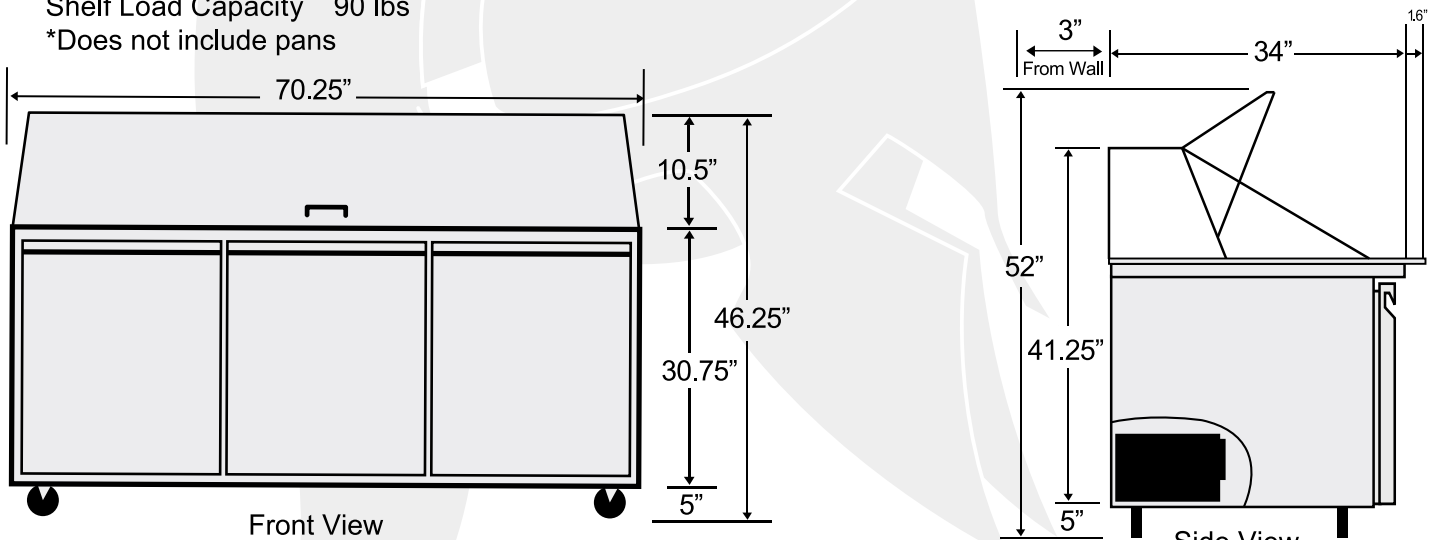
Temperature Range	32° - 40° F
Refrigerant	R134a
Maximum Ambient	90° F
Temperature Rating	
Defrosting	Automatic
Temperature Display	Yes
Temperature Controller	Digital
H/P	1/2

**Construction**

Exterior Material	430 series stainless steel
Interior Material	304 series stainless steel
Insulation Material	Foamed in place polyurethane
Shelf Material	Plastic coated steel
Shelf Load Capacity	90 lbs
*Does not include pans	

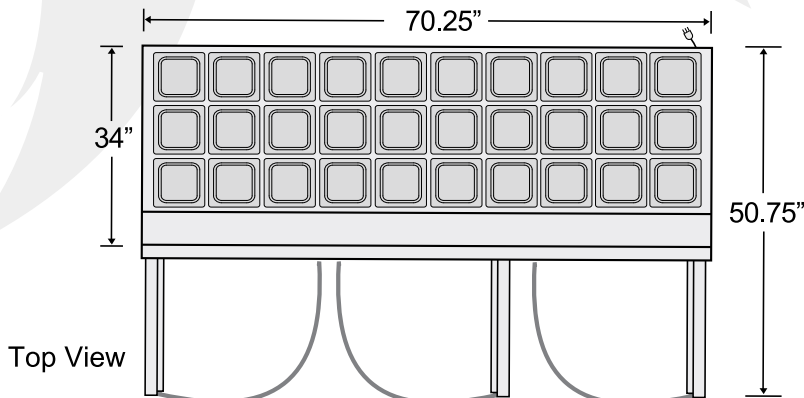
**Electrical**

Voltage	120
Amps	9.2
Hz	60

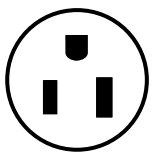


Front View

Side View



Top View



NEMA 5-15P

