

# TECHNICAL DATA

## Dimensions

Exterior Dimensions (WxDxH)	92" x 31.5" x 44"
Interior Dimensions Top (WxDxH)	84.25" x 10" x 13"
Interior Dimensions Bottom (WxDxH)	69.5" x 27.5" x 23.75"
Cutting Board Dimensions (WxDxH)	91.5" x 19.5" x .75"
Net Volume (cu. ft.)	24 cu. ft.
Net Weight	440 lbs
Packaging Dimensions (WxDxH)	96" x 36" x 47.5"

## Cooling

Temperature Range	32° - 50° F
Refrigerant	R134a
Maximum Ambient Temperature Rating	100.4° F
Defrosting	Automatic
Temperature Display	Yes
Temperature Controller	Digital
H/P	1/2

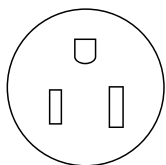
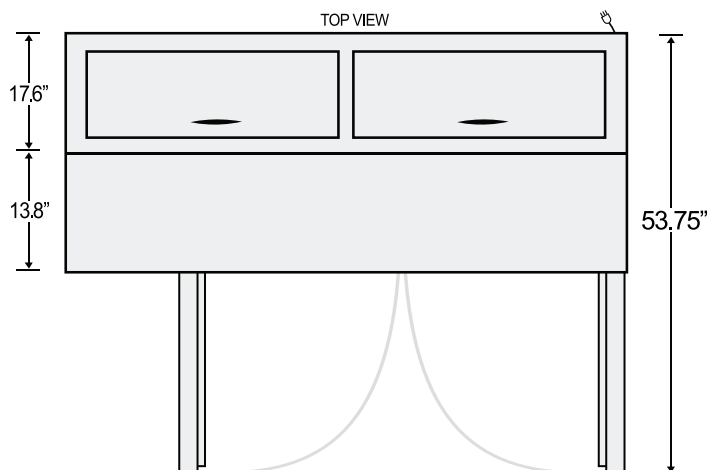
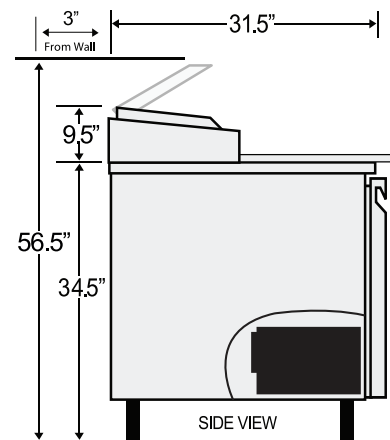
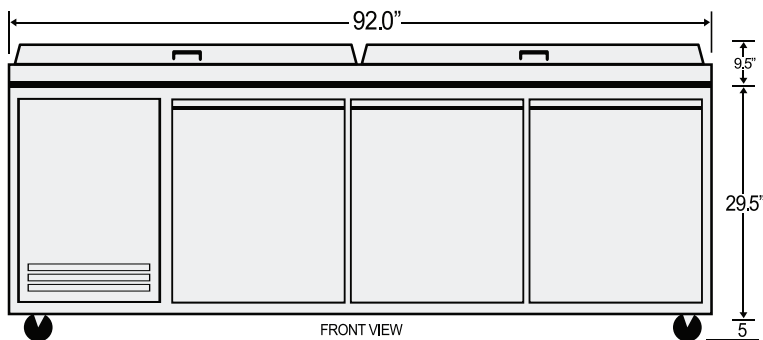
## Construction

Exterior Material	430 series stainless steel
Interior Material	304 series stainless steel
Insulation Material	Foamed in place polyurethane
Shelf Material	Plastic coated steel
Shelf Load Capacity	90 lbs

## Electrical

Voltage	120
Amps	11.1
Hz	60
Phase	1

## PLAN VIEW



NEMA 5-15