



GRINDMASTER®

PONY POD SUPER AUTO ESPRESSO

Project

Date

Models

Pony 2

Pony 4

Item #

Quantity



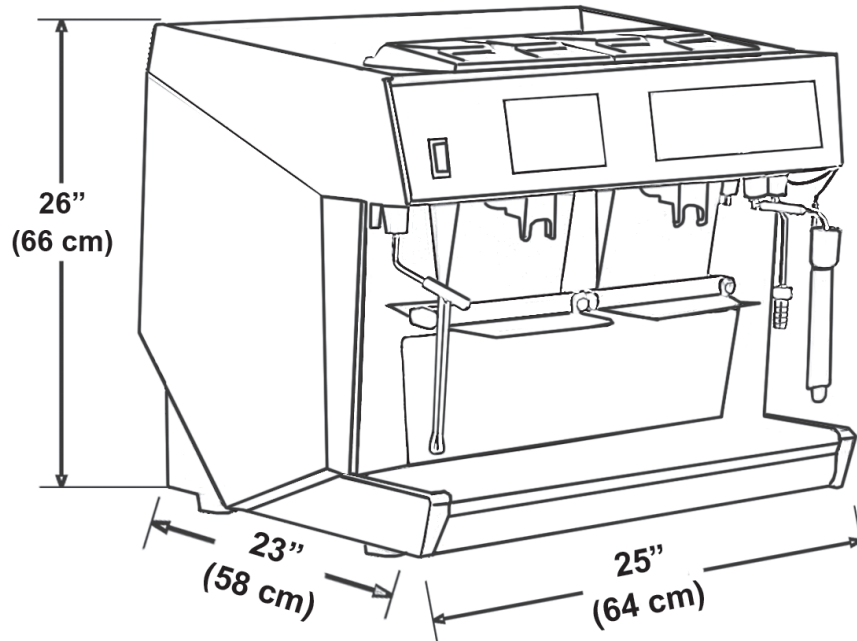
model Pony 4

FEATURES

- Super-automated espresso maker for single espresso pods.
- Designed to facilitate operations in foodservice environments with little training required.
- Make 1 or 2 espressos at a time for Pony 2 and up to 4 for the Pony 4 model.
- Fully programmable coffee volume buttons.
- Programmable and automated compulsory daily cleaning.
- Programmable pre-infusion.
- SteamAir auto foam and auto temperature control steam wand.
- Time programmable hot water dispenser with flow regulation.
- Direct to boiler mounted group head for shot temperature stability.
- Overabundant steam to eliminate recovery time.
- Cup warmer.
- Direct drain pan to hose connection.
- Automatic refill.
- Twin pressure gauge for pump and steam.
- Full sized rotary vane pump.
- Stainless steel panels and welded steel framework.



PONY POD SUPER AUTO ESPRESSO



model Pony 4
represented



MODELS & SPECIFICATIONS

Model	Number of Heads	Boiler Size	Cups per Hour	Electrical	Product Dimensions (H x W X D)	Ship Dimensions (H x W X D)	Ship Weight
Pony 2* (1011-007)	2	1.66 gal (6.3 L)	120	120V / 1.7 kW 20A / 1 Ph	26" X 14" X 23" (66 cm x 36 cm x 58 cm)	32" X 30" X 20" (81 cm x 76 cm x 51 cm)	100 lbs. (45 kg)
Pony 4** (1011-008)	4	2.6 gal (9.8 L)	240	230V / 4.5 kW 30A / 1 Ph	26" X 25" X 23" (66 cm x 64 cm x 58 cm)	33" X 44" X 30" (84 cm x 112 cm x 76 cm)	171 lbs. (78 kg)

* **Electrical:** NEMA 5-20P line cord included.

** **Electrical:** Line cord included with no plug. Suggested plug: L6-30P.