

# BISON

## REFRIGERATION

Includes 1 Year Parts + Labor / 5 Year Compressor Warranty  
**BUF-60 2 Door Undercounter Freezer**

### Dimensions

Exterior Dimensions (Inches)	60.25" x 30.125" x 37.125"
Interior Dimensions (Inches)	57" x 24" x 24"
Packaging Dimensions (Inches)	63" x 33.5" x 37.7"
Capacity (cu. ft.)	17.9 cu. ft.
Gross Weight (lbs)	287 lbs

### Construction

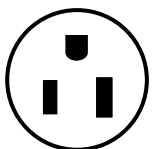
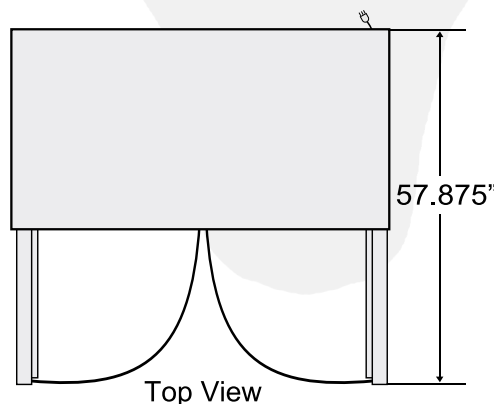
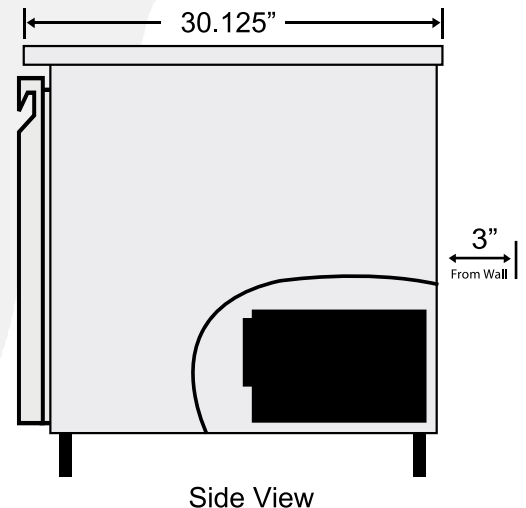
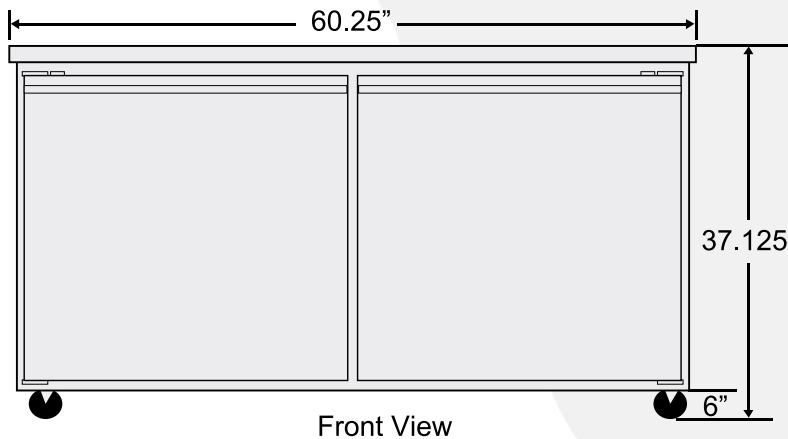
Exterior Material	430 series stainless steel
Interior Material	430 series stainless steel
Insulation Material	Polyurethane
Insulation Thickness (mm)	45
# of Doors	2
# of Shelves	2
Shelf Material	Plastic coated steel
Shelf Load Capacity (lbs/pc)	155 lbs

### Cooling

Temperature Range	-8° ~ -1° F
Refrigerant	R-404A
Refrigerant Amount (oz)	19.4
Maximum Ambient Temperature Rating	100.4° F
Defrost Method	Electric Defrost
Defrost Power (W)	500
Cooling Method	Ventilated
Temperature Controller	Thermostat
Compressor H/P	1/2

### Electrical

Voltage (v/Hz)	115/60
Power (W)	600
Power Consumption (kw/24hr)	6
Phase	1



NEMA 5-15P

