

Copper Beech Range

Gas Tube Fryer



Model: CBF40



- CBF40 40 pounds gas fryer(3-tubes)
- CBF50 50 pounds gas fryer(4-tubes)
- CBF70 70 pounds gas fryer(5-tubes)

STANDARD FEATURES

- Stainless steel front w/ galvanized sides
- Cast iron vertical burner, each 30,000 BTU/hr
- Thermostatically controlled (200° F- 400° F)
- Open S/S fryer pot with cold zone
- Standby S/S pilot for easy start
- Adjustable heavy duty legs, with castors included
- Mili-volt control valve
- Prompt response thermostat ensures fast temp recovery
- Hi-limit for safety (450° F)
- 1 1/4" full port drain valve
- S/S heat exchanger with baffle for high efficiency
- S/S hanger plate at the back
- Two baskets included
- 1/2" NPT rear gas connection
- One year limited parts and labor warranty
- Gas type should be specified when confirming order

INSTALLATION INSTRUCTIONS

1. A gas pressure regulator supplied with the unit must be installed. Natural Gas 4.0" (102 mm) W.C. Propane Gas 10.0" (254 mm) W.C.
2. An adequate ventilation system is required for commercial cooking equipment.
3. These units are manufactured for installation in accordance with National Fuel Gas Code, ANSI-Z223.1/NFPA #54 (latest edition).
4. This appliance is intended for commercial installation only and is not intended for home use.
5. Equipment clearance requirement:

Non-Combustibles	Combustibles
Sides 0"	Sides 4"
Back 0"	Back 4"
6. All the installation must be performed by qualified technicians.
7. It is not suggested to convert to another type of gas in field. Please specify gas type when ordering.



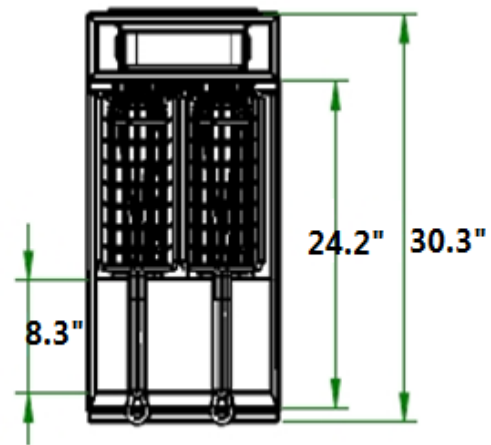
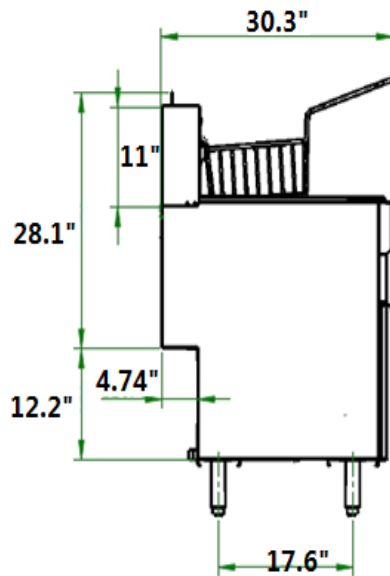
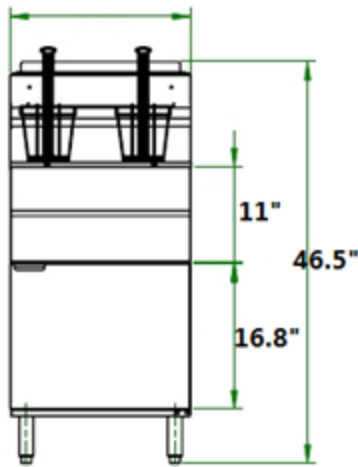
Copper Beech Range

Gas Tube Fryer

INSTALLATION DRAWING

CBF40/50 15.5"

CBF70 21"



Model	Description	Gas Type	Total BTU/HR	Packing Size(IN)	N/W (LB)	G/W (LB)
CBF40	Gas tube fryer	Natural Gas@4" W/C	90,000	18x33x34	143	157
CBF40	Gas tube fryer	Propane@10" W/C	90,000	18x33x34	143	157
CBF50	Gas tube fryer	Natural Gas@4" W/C	120,000	18x33x34	157	181
CBF50	Gas tube fryer	Propane@10" W/C	120,000	18x33x34	157	181
CBF70	Gas tube fryer	Natural Gas@4" W/C	150,000	24x33x34	172	183
CBF70	Gas tube fryer	Propane@10" W/C	150,000	24x33x34	172	183