



# RADIANCE™ HOT POWDERED CAPPUCCHINO DISPENSERS

Project \_\_\_\_\_ Date \_\_\_\_\_ Model **RAD5A, RAD5B, RAD5C** Item# \_\_\_\_\_ Quantity \_\_\_\_\_



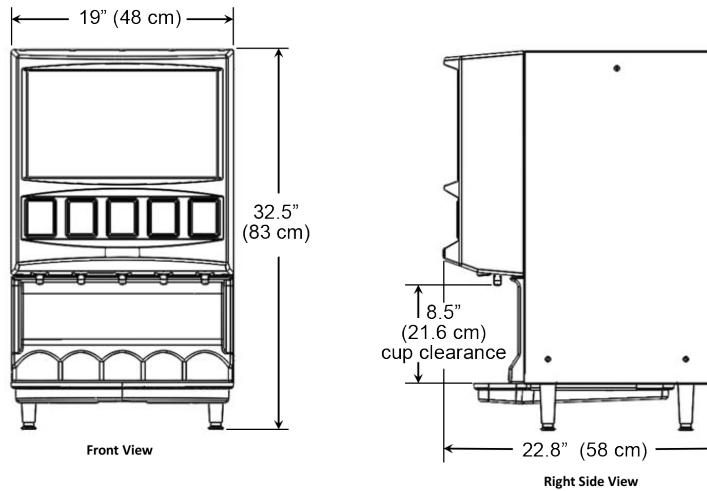
model RAD5A

## Features

- Cecilware top-of-the-line cappuccino delivery system ensures a perfect beverage every time.
- Kitchen Brains wi-fi enabled technology provides real-time actionable usage data on your customer's preferences.
- Three models provide different levels of customization for attention-grabbing graphics and selling messages.
- A-models offer an 18" (46 cm) high-resolution LCD video merchandiser.
- B-models offer a backlit merchandiser.
- C-models offer a decal merchandiser.
- 8.5" (21.6 cm) cup clearance.
- Hopper capacity of 5 pounds (2.3 kg) per hopper.

# Models & Dimensions

## Radiance™ Hot Powder Cappuccino Dispensers



model RAD5A

## Specifications

Model	Part	Description	Tank Capacity	Electrical	Product Dimensions* (H x W X D)	Ship Weight
<b>RAD5A</b>		18" (46 cm) video display, touch screen dispensers, Wi-Fi enabled, 5 hoppers.	7.25 gallon (27.4 L)	120V / 1.8kW 15A / 1 Ph	32.5" x 19" x 22.8" (83 cm x 48 cm x 58 cm)	181.2 lbs. (82.2 kg)
RAD5A-B	1401-000	Black				
RAD5A-G	1401-010	Gray				
<b>RAD5B</b>		Backlit merchandiser, touch-screen dispensers, real-time usage data, 5 hoppers.	7.25 gallon (27.4 L)	120V / 1.8kW 15A / 1 Ph	32.5" x 19" x 22.8" (83 cm x 48 cm x 58 cm)	171.2 lbs. (77.7 kg)
RAD5B-B	1401-002	Black				
RAD5BW-B	1401-003	Black, Wi-Fi enabled.				
RAD5B-G	1401-011	Gray				
RAD5BW-G	1401-012	Gray, Wi-Fi enabled.				
<b>RAD5C</b>		Decal merchandiser, push-button dispensers, 5 hoppers.	7.25 gallon (27.4 L)	120V / 1.8kW 15A / 1 Ph	32.5" x 19" x 22.8" (83 cm x 48 cm x 58 cm)	171.2 lbs. (77.7 kg)
RAD5C-B	1401-004	Black				
RAD5CW-B	1401-006	Black, Wi-Fi enabled.				
RAD5C-G	1401-013	Gray				
RAD5CW-G	1401-014	Gray, Wi-Fi enabled.				

\* Height with door open is 42.5" (108 cm). Height includes 4" (10 cm) leveling legs.

**Clearance Required:** no clearance required on sides. 3" (7.6 cm) clearance required at rear for water and electrical connections.

