

iF0900 Ice Cube Machine

iF0900 Ice Cube Machine

Model:

- | | | | |
|------------------------------------|------------------------------------|------------------------------------|------------------------------------|
| <input type="checkbox"/> IRF-0900A | <input type="checkbox"/> IYF-0900A | <input type="checkbox"/> IDF-0900W | <input type="checkbox"/> IDF-0900N |
| <input type="checkbox"/> IDF-0900A | <input type="checkbox"/> IRF-0900W | <input type="checkbox"/> IYF-0900W | <input type="checkbox"/> IYF-0900N |



Indigo NXT Series iF0900 Ice Machine on a D570 Bin

Designed for operators who know that ice is critical to their business, the Indigo[®]NXT Series ice machine's preventative diagnostics continually monitor itself for reliable ice production. Improvements in cleanability and programmability make your ice machine easy to own and less expensive to operate.

- **easyTouch[®] Display**- New icon based touch screen takes the guess work out of owning and operating an ice machine.
- **Programmable Ice Production** - Now its super easy to program your ice machine to be off at certain times of the day to save money with fluctuating electrical rates. Also programmable by daily ice production volume.
- **Easy to Clean Foodzone** - Hinged front door swings out for easy access. Removable water-trough, distribution tube, curtain, and sensing probes for fast and efficient cleaning. Select components made with AlphaSan[®] antimicrobial.
- **Intelligent Diagnostics** - provide 24 hour preventative maintenance and diagnostic feedback for trouble free operation.
- **Acoustical Ice Sensing Probe** - Unique patented technology allows for reliable operation in challenging water conditions and environments.
- **DuraTech[™] Exterior** - provides superior corrosion resistant above stainless steel. Innovative clear-coat resists fingerprints and dirt making it easier to keep clean.
- **Available LuminIce II Growth Inhibitor**- Controls the growth of bacteria and yeast with the food zone keep the machine cleaner longer. A new indicator in the display keeps you abreast of the operational status.

Specifications

BTU Per Hour:

12,700 (average)
14,800 (peak)

Refrigerant:

R-404A CFC-free

Operating Limits:

Ambient Temperature Range:
40 to 100 F (4.4 to 43.3 C)

Water Temperature Range:
40 to 90 F (4.4 to 32.2 C)

Water Pressure Ice Maker
Water In:

Min. 20 psi (137.9 kPa)
Max. 80 psi (551.1 kPa)

Ice Machine Electric

208-230/60/1

(208-230/60/3 and 230/50/1 also available)

Minimum circuit ampacity:

Air-cooled: 12.2 1ph 9.7 3ph
Water-cooled: 11.2 1ph 8.7 3ph
Remote: 12.2 1ph 9.7 3ph

Maximum fuse size:

Air-cooled: 20 1ph 15 3ph
Water-cooled: 20 1ph 15 3ph
Remote: 20 1ph 15 3ph



Ice Shape



Half Dice
3/8" x 1 1/8" x 7/8"
(.95 x 2.86 x 2.22 cm)



Dice
7/8" x 7/8" x 7/8"
(2.22 x 2.22 x 2.22 cm)



Regular
1 1/8" x 1 1/8" x 7/8"
(2.86 x 2.86 x 2.22 cm)



COMPANY WITH QUALITY SYSTEM

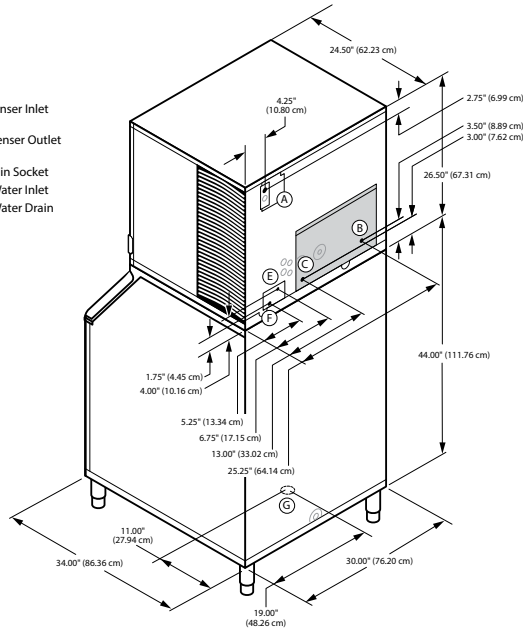


iF-900 on D-570 Storage Bin

- Ⓐ Electrical Entrance (2) Options
- Ⓑ 3/8" (0.95 cm) F.P.T. Water Condenser Inlet (water-cooled units)
- Ⓒ 1/2" (1.27 cm) F.P.T. Water Condenser Outlet (water-cooled units)
- Ⓓ 1/2" (1.27 cm) Auxillary Base Drain Socket
- Ⓔ 3/8" (0.95 cm) F.P.T. Ice Making Water Inlet
- Ⓕ 1/2" (1.27 cm) F.P.T. Ice Making Water Drain
- Ⓖ 3/4" (1.91 cm) Bin Drain

Installation Note
Minimum installation clearance:

Top/sides: 8" (20.32 cm); Back is 5" (12.7 cm)



Space-Saving Designs



| | iF-900 D-570 | iF-900 D-970 |
|-------------|-----------------------|-----------------------|
| Height | 76.50" 194.30 cm | 76.50" 194.30 cm |
| Width | 30.00" 76.20 cm | 30.00" 76.20 cm |
| Depth | 34.00" 86.30 cm | 34.00" 86.30 cm |
| Bin Storage | 365 lbs. 165.7 kgs | 543 lbs. 241.1 kgs |

Height includes adjustable bin legs 6.00" to 8.00", (15.24 to 20.32 cm) set at 6.00" (15.24 cm).
Bin capacity is based on 90% of the volume x 33 lbs/ft³ average density of ice

Specifications

| | Model | Ice Shape | Ice Production 24 Hours | | | | Power Usage kWh/100 lbs.@90°Air/70°F | | Water Usage/100 lbs. 45.4 kgs. of Ice | | ENERGY STAR® |
|---|-----------|-----------|-------------------------|--------------------|---------|--------|---|------|--|--------|--------------|
| | | | 70°Air/ 50°F Water | 90°Air/ 70°F Water | 1 Ph | 3 Ph | Potable Water | | | | |
| AIR-COOLED | IRF-0900A | regular | 797 lbs | 362 kg | 639 lbs | 290 kg | 5.33 | 5.33 | 19 Gal. | 71.9 L | NA |
| | IDF-0900A | dice | 874 lbs | 396 kg | 664 lbs | 301 kg | 5.10 | 5.10 | 19 Gal. | 71.9 L | NA |
| | IYF-0900A | half-dice | 901 lbs | 409 kg | 710 lbs | 322 kg | 5.02 | 5.02 | 19 Gal. | 71.9 L | NA |
| WATER-COOLED | IRF-0900W | regular | 773 lbs | 351 kg | 683 lbs | 310 kg | 4.20 | 4.20 | 19 Gal. | 71.9 L | NA |
| | IDF-0900W | dice | 839 lbs | 381 kg | 701 lbs | 318 kg | 4.35 | 4.35 | 19 Gal. | 71.9 L | NA |
| | IYF-0900W | half-dice | 879 lbs | 399 kg | 786 lbs | 357 kg | 4.04 | 4.04 | 19 Gal. | 71.9 L | NA |
| * Water-cooled Condenser Water Usage / 100 lbs. /45.4 kgs. Of Ice: 150 gal/568 L. * Water-cooled models are excluded from ENERGY STAR qualification. | | | | | | | | | | | |
| REMOTE-COOLED | IDF-0900N | dice | 821 lbs | 372 kg | 727 lbs | 330 kg | 4.91 | 4.91 | 19 Gal. | 71.9 L | ★ |
| | IYF-0900N | half-dice | 855 lbs | 388 kg | 752 lbs | 341 kg | 4.90 | 4.90 | 19 Gal. | 71.9 L | NA |

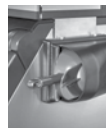
Order ice storage bin separately. Ice storage bin and JC-0895 remote condenser must be ordered separately. Consult remote condenser specification sheet for details.

Accessories

LuminIce® II Growth Inhibitor
reduces yeast and bacteria growth for a cleaner ice machine.



External Scoop holder
Protect the ice scoop with the NSF approved versatile scoop holder.



Arctic Pure® Water Filters
Reduces sediment and chlorine odors for better tasting ice.



iAuCS®
schedules and performs routine ice machine cleaning automatically.

