

QuietQube® iT1200C Remote Ice Cube Machine

Air-Cooled Ice Cube Machine with Patented CVD Technology®

Model

 IDT1200C

 IYT1200C


IT1200C Ice Cube Machine - 115V



CVD Condensing Unit - 230V



iT1200C Ice Machine on a D570 bin

Standard Features

QuietQube Series Remote System consists of a remote condensing unit, interconnecting refrigerant lines, ice machine head section along with an ice storage bin, countertop dispenser, or floor dispenser. All ordered separately. QuietQube ice machine with CVD condensing unit is designed as a Manitowoc system and cannot be used with any other ice machine or remote condenser brand.

- **New Levels of Performance** – showcasing an average of 8% reduction in energy consumption and 10% increase in ice production.
- **easyTouch® Display** - New icon based touch screen takes the guess work out of owning and operating an ice machine.
- **Programmable Ice Production** – Now its super easy to program your ice machine to be off at certain times of the day to save money with fluctuating electrical rates. Also programmable by daily ice production volume.
- **Easy to Clean Foodzone** – Hinged door for easy access. Removable water-trough, distribution tube, curtain, water probe and water pump for fast and efficient cleaning. Selected components are made with AlphaSan® antimicrobial.
- **Intelligent Diagnostics** – Provides 24 hour preventative maintenance and diagnostic feedback for trouble free operation.
- **Acoustical Ice Sensing Probe** – Unique patented technology allows for reliable operation in challenging water conditions and environments
- **DuraTech® Exterior** – Provides superior corrosion resistant above stainless steel. Innovative clear-coat resists fingerprints and dirt making it easier to keep clean.
- **Available LuminIce® II Growth Inhibitor** – Controls the growth of bacteria and yeast within the Food zone keeping the machine cleaner longer. A new indicator in the display keeps you abreast of the operational status.

Ice Shape



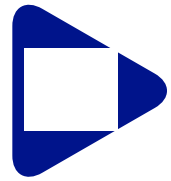
Half Dice
 $\frac{3}{8}$ " x $1\frac{1}{8}$ " x $\frac{7}{8}$ "
 (.95 x 2.86 x 2.22 cm)



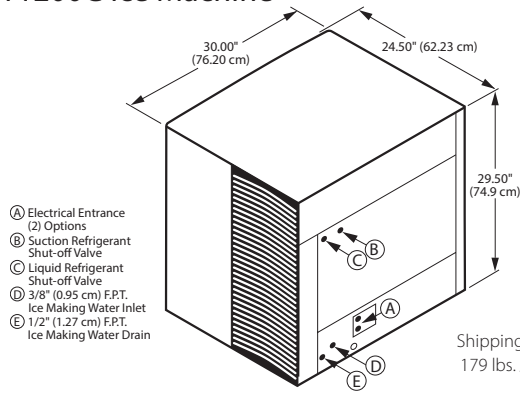
Dice
 $\frac{7}{8}$ " x $\frac{7}{8}$ " x $\frac{7}{8}$ "
 (2.22 x 2.22 x 2.22 cm)



COMPANY WITH
 QUALITY SYSTEM



iT1200C Ice Machine



Shipping Weight:
179 lbs. / 81 kgs.

Specifications

Operating Limits:

- Ambient Temperature Range:
40° to 110°F (4.4° to 43.3°C)
- Water Temperature Range:
40° to 90°F (4.4° to 32.2°C)
- Water Pressure Ice Maker Water In:
Min. 20 psi (137.9 kPa)
Max. 80 psi (551.1 kPa)

Ice Machine Electric

- 115/60/1 standard.
- Total Amps: 1.1
- Max. fuse size: 15 amps
- HACR-type circuit breakers can be used in place of fuses.

iAuCS® Accessory

Automatic Cleaning System purchased as an option and installed in the field.



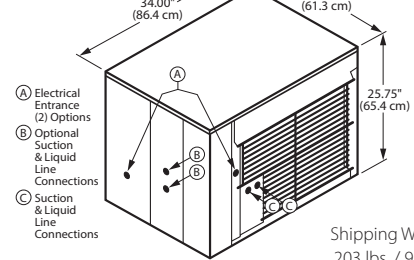
Remote Air-cooled Ice Machine

Model	Ice Shape	Ice Production 24 Hours		Power kWh/100 lbs* @ 90°/70°F	ENERGY STAR®
		70° Air/50°F Water	90° Air/70°F Water		
IDT1200C	dice	1,142 lbs.	975 lbs.	4.50	
		518 kgs.	442 kgs.		
IYT1200C	half-dice	1,146 lbs.	1000 lbs.	4.50	
		519 kgs.	454 kgs.		
Water usage/100 lbs./45.4 kgs. of Ice					
Potable Water: 19.9 gallons, 75.3 liters					

Ice machine for use with ice storage bin or ice dispenser and CVD condensing unit all ordered separately.

*kWh per 100 lbs. is total power of ice machine and condensing unit. Ice machine is 1 ph only. Condensing unit is 1 ph or 3 ph.

CDVT1200 Remote Condensing Unit



Shipping Weight:
203 lbs. / 92 kgs.

Condensing Unit Electric

208-230/60/1 standard. 208-230/60/3. HACR-type circuit breakers can be used in place of fuses.

Note: QuietQube ice machine power supply is wired independent of CVD condensing unit.

Min. circuit ampacity:

14.8 1ph 9.3 3ph

Max. fuse size:

25 amps 1ph 15 amps 3ph

HACR-type circuit breakers can be used in place of fuses.

Operating Limits:

- Ambient Temperature Range:
-20° to 130°F (-29° to 54°C)

BTU Per Hour:

16,200 (average) 19,100 (peak)

Compressor:

Nominal rating: 1.5 HP

Installation Information and Dimensions:

Maximum Line Length

—100' (30.5 m).*

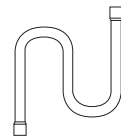
Maximum Vertical Rise*

—35' (10.7 m) above ice machine.

Maximum Vertical Drop

—15' (4.5 m) below ice machine.

*A rise over 20' (6 m) requires S-Trap Kit K-00172 - ordered separately.



Model	Line Length		Weight	
	ft.	m.	lbs.	kgs.
RC-21	20	6	12	5
RC-31	30	9	20	9
RC-51	50	15	28	13

Welbilt reserves the right to make changes to the design or specifications without prior notice.