

**Refrigeration Equipment
Bar Equipment 3-door Refrigerator,
72", black with solid door (R290)**

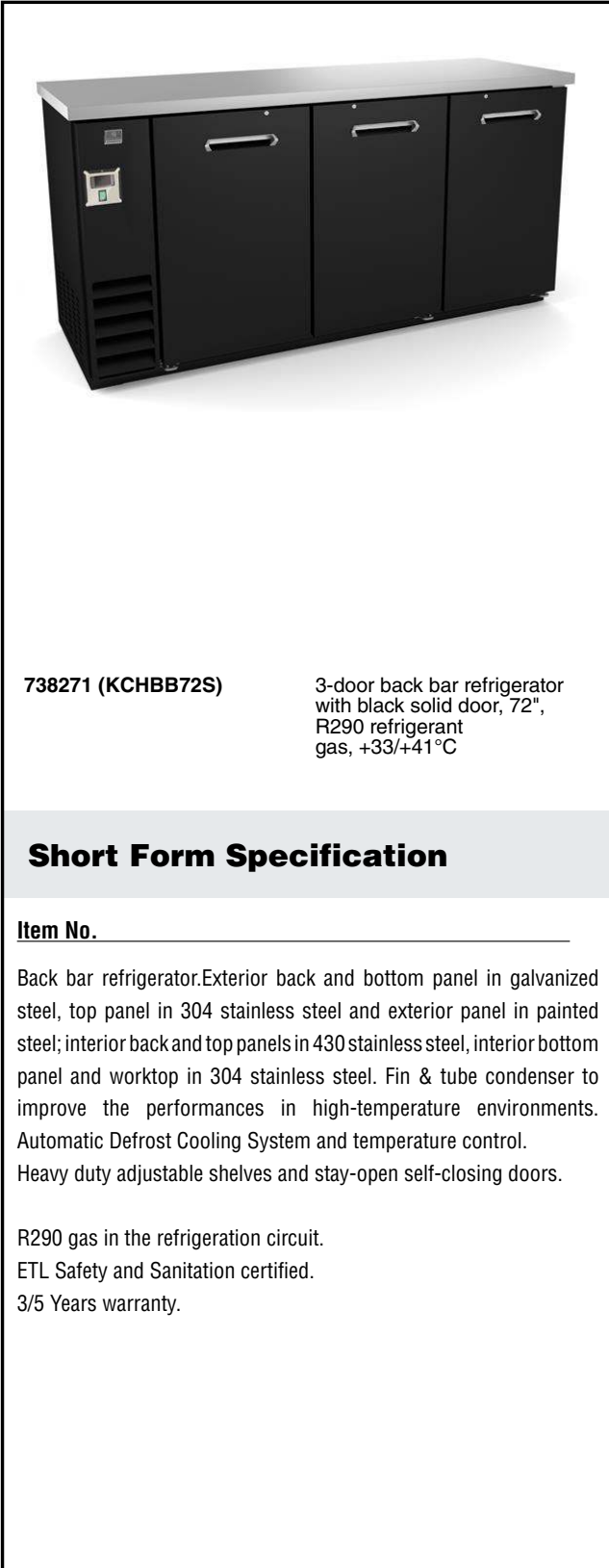
ITEM # _____

MODEL # _____

NAME # _____

SIS # _____

AIA # _____



738271 (KCHBB72S)

3-door back bar refrigerator with black solid door, 72", R290 refrigerant gas, +33/+41°C

Short Form Specification

Item No. _____

Back bar refrigerator. Exterior back and bottom panel in galvanized steel, top panel in 304 stainless steel and exterior panel in painted steel; interior back and top panels in 430 stainless steel, interior bottom panel and worktop in 304 stainless steel. Fin & tube condenser to improve the performances in high-temperature environments. Automatic Defrost Cooling System and temperature control. Heavy duty adjustable shelves and stay-open self-closing doors.

R290 gas in the refrigeration circuit.
ETL Safety and Sanitation certified.
3/5 Years warranty.

Main Features

- External digital temperature display.
- External temperature display.
- Hydrocarbon refrigerant gas R290 for the lowest environmental impact (GWP=3) - CFC and HCFC free.
- Fin & Tube Condenser improves performance in high temperature environments.
- Automatic Defrost Cooling System provides worry-free performance.
- Locking doors.
- Heavy duty Vinyl coated steel shelves.
- High efficiency components to minimize the energy consumption still guaranteeing the highest performances.
- Cabinet and door insulated with high density polyurethane for low environmental impact.
- CFC and HCFC free, highly ecological refrigerant type: R290 (ecological gas in foam: cyclopentane). Hydrocarbon refrigerant gas R290 for the lowest environmental impact (GWP=3), to reduce green house and ozone depletion effects.

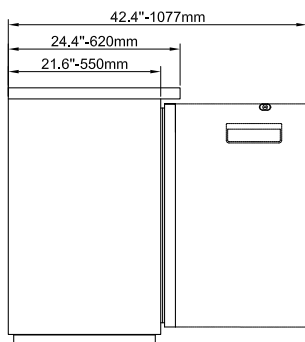
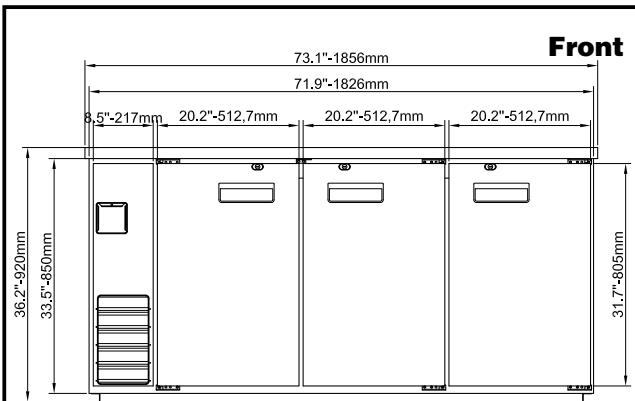
Construction

- Lockable door.
- Self-closing door with 90-degree stay-open feature.
- Pre-wired heavy duty power cord.
- Heavy duty door hinges.
- Magnetic door gasket removable without tools for easy cleaning.

Optional Accessories

- two shelves for 72" back bar (one right and one left shelves) PNC 880610
- shelf clips PNC 880611

APPROVAL: _____



EI = Electrical connection
RI = Refrigerant Inlet
RO = Refrigerant Outlet

Electric

Supply voltage:	738271 (KCHBB72S)	115 V/1 ph/60 Hz
Electrical power, max:		0.3 kW
Current consumption:		3 Amps
Plug type:		USA NEMA 5-15P

Capacity:

Gross capacity:	20.8 cu.feet
------------------------	--------------

Key Information:

Door hinges:	1 Left+2 Right
External dimensions, Width:	73 1/8" (1856 mm)
External dimensions, Depth:	24 7/16" (620 mm)
External dimensions, Height:	42 5/16" (920 mm)
Number and type of doors:	3 Full
Internal Dimensions (depth):	28 15/16"
Internal Dimensions (height):	18 1/2"
Internal Dimensions (width):	60 3/16"
Shipping height:	44 1/2" (1050 mm)
Shipping weight:	346 lbs (157 kg)
Shipping volume:	51.44 ft ³ (1.46 m ³)
Number and type of grids (included):	6 - Vinyl-Coated Steel
Type of external material:	Black Prepainted Steel
Type of internal material:	Stainless Steel
Warranty:	3 / 5 years

Refrigeration Data

Compressor Horsepower:	1/4
Refrigerant type:	R290
Refrigerant weight:	130 g
Operating temperature min.:	32 °F
Operating temperature max.:	41 °F
Condenser type:	Fin & tube



Refrigeration Equipment
Bar Equipment 3-door Refrigerator, 72", black with solid door (R290)

The company reserves the right to make modifications to the products without prior notice. All information correct at time of printing.