



INCLUDES 1 YEAR PARTS + LABOR / 5 YEAR COMPRESSOR WARRANTY
SST-27 1 DOOR SANDWICH/SALAD PREP REFRIGERATOR

Dimensions

| | |
|------------------------------------|-----------------------|
| Exterior Dimensions (WxDxH) | 27.5" x 29.5" x 42.5" |
| Interior Dimensions Top (WxDxH) | 24" x 14.5" x 8.75" |
| Interior Dimensions Bottom (WxDxH) | 24" x 19.5" x 24" |
| Cutting Board Dimensions (WxDxH) | 27.5" x 10.5" x .75" |
| Net Volume (cu. ft.) | 5.75 cu. ft. |
| Gross Weight | 255 lbs |
| Packaging Dimensions (WxDxH) | 32" x 34" x 46.5" |

Cooling

| | |
|------------------------------------|-------------|
| Temperature Range | 32° - 40° F |
| Refrigerant | R134a |
| Maximum Ambient Temperature Rating | 100.4° F |
| Defrosting | Automatic |
| Temperature Display | Yes |
| Temperature Controller | Digital |
| H/P | 1/4 |

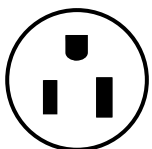
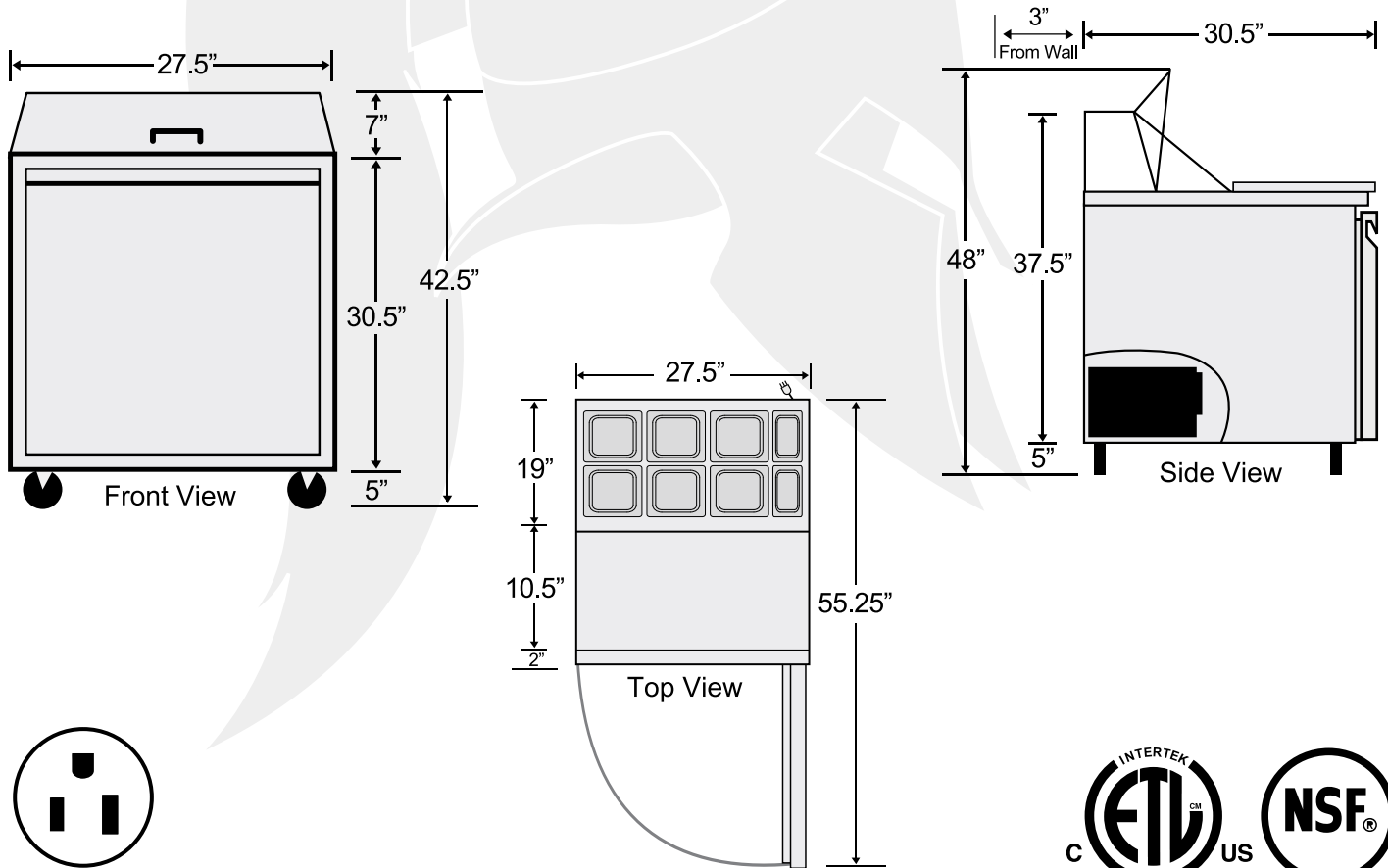
Construction

| | |
|---------------------|------------------------------|
| Exterior Material | 430 series stainless steel |
| Interior Material | 304 series stainless steel |
| Insulation Material | Foamed in place polyurethane |
| Shelf Material | Plastic coated steel |
| Shelf Load Capacity | 90 lbs |

*Does not include pans

Electrical

| | |
|---------|-----|
| Voltage | 120 |
| Amps | 3.8 |
| Hz | 60 |
| Phase | 1 |



NEMA 5-15P

