



AX-824RHD

**Full Size Convection Oven with Humidity
Digital controls - Reversing Fans - 4 shelves**

COMES WITH
POWER CORD
NO PLUG
INCLUDED



Digital controls	Time, temperature, humidity, 3 cooking cycles for each program, automatic pre-heating	Features
Load capacity	4 shelves for full size sheet pans	
High speed reversing fans	2 (3,200 rpm)	<ul style="list-style-type: none"> • Advanced airflow design • Automatic high speed reversing fans • Digital programmable controls / 99 programs / automatic pre-heating / 3 cooking cycles for each program • Interior halogen light • Includes electro valve for direct water connection • Micro safety switch shuts oven off when door is open • Heavy duty stainless steel body construction • "Cold Door" design with double pane glass • Reinforced door hinges • Oven door can support weight limit of 80 lbs. • Oven cavity is insulated with ultra-high temperature fiberglass insulation • 4 Stainless steel wire shelves • Ovens can be stacked (kit required) • Warranty: 2 years parts & 1 year labor exclusive of lights, gaskets and glass
Space between shelves	3.14" (80 mm)	
Power requirements	5,600 Watts / 208-240 V / 60 / 1 Oven supplied with power cord only no plug	
Temperature	86° - 500° F	
Equipped with	16 hour timer - Signal at end of cycle	
Cavity size (inches)	29.33"x19.29"x13.58" (WxDxH)	
Unit dimensions (inches)	33.5" x 30.2" x 25.9" (WxDxH)	
Shipping dimensions (inches)	35.44" x 31.10" x 29.53" (WxDxH)	
Net / Ship weight	126 lb / 154 lb	

OVEN STANDS & PROOFERS



AX-801 Oven Stand
SHIP WT: **54 lbs**

- HD stand with tray slides for full size sheet pans
- Dimensions: 33.47" x 24.40" x 31.50"
- Accommodates any "8" series ovens



AX-PR8
SHIP WT: **233 lbs**



- Capacity: 8 full size sheet pans
- Space between pans: 3"
- 208-240/60/1, 2000 Watts
- Heat setting up to 140°F
- Manual fill water supply in bottom tray

CONVECTION ACCESSORIES



DEFLECTOR
CODE: **124-DEF**

- 2 are required for the "8" series
- Air deflector plate for delicate baking

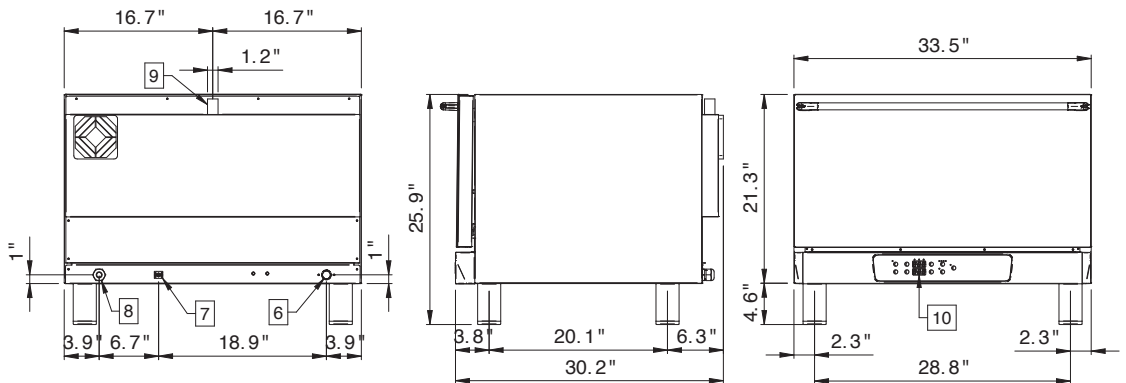


STACKING KIT "8" SERIES
CODE: **124-KIT8**

- Stacking kit for "8" Series

LINE DRAWINGS

AX-824RHD



🇨🇦 514-737-9701 🇺🇸 786-600-4687

TOLL FREE: 888-275-4538

TOLL FREE: 844-218-8477

5659 ROYALMOUNT AVE, MONTREAL, QC, CANADA H4P2P9
12000 BISCAYNE BLVD, SUITE #108, MIAMI, FL, USA 33181

🌐 MVPGROUPCORP.COM ✉ SALES@MVPGROUPCORP.COM