



SD-48 CURVED GLASS DELI CASE

UNITS MANUFACTURED PRIOR 10-1-18

INCLUDE 1 YEAR PARTS + LABOR / 5 YEAR COMPRESSOR WARRANTY

UNITS MANUFACTURED AFTER 10-1-18

INCLUDE 2 YEAR PARTS + LABOR / 5 YEAR COMPRESSOR WARRANTY

Dimensions

| | |
|------------------------------|-------------------------|
| Exterior Dimensions (WxDxH) | 47.25" x 33.5" x 47.25" |
| Interior Dimensions (WxDxH) | 43.5" x 27" x 22" |
| Cubic Feet | 13.4 cu.ft. |
| Shelf Depths: | Shelf 1: 12" |
| | Shelf 2: 16" |
| | Shelf 3: 21" |
| Gross Weight | 455 lbs |
| Packaging Dimensions (WxDxH) | 51" x 36.25" x 51" |

Construction

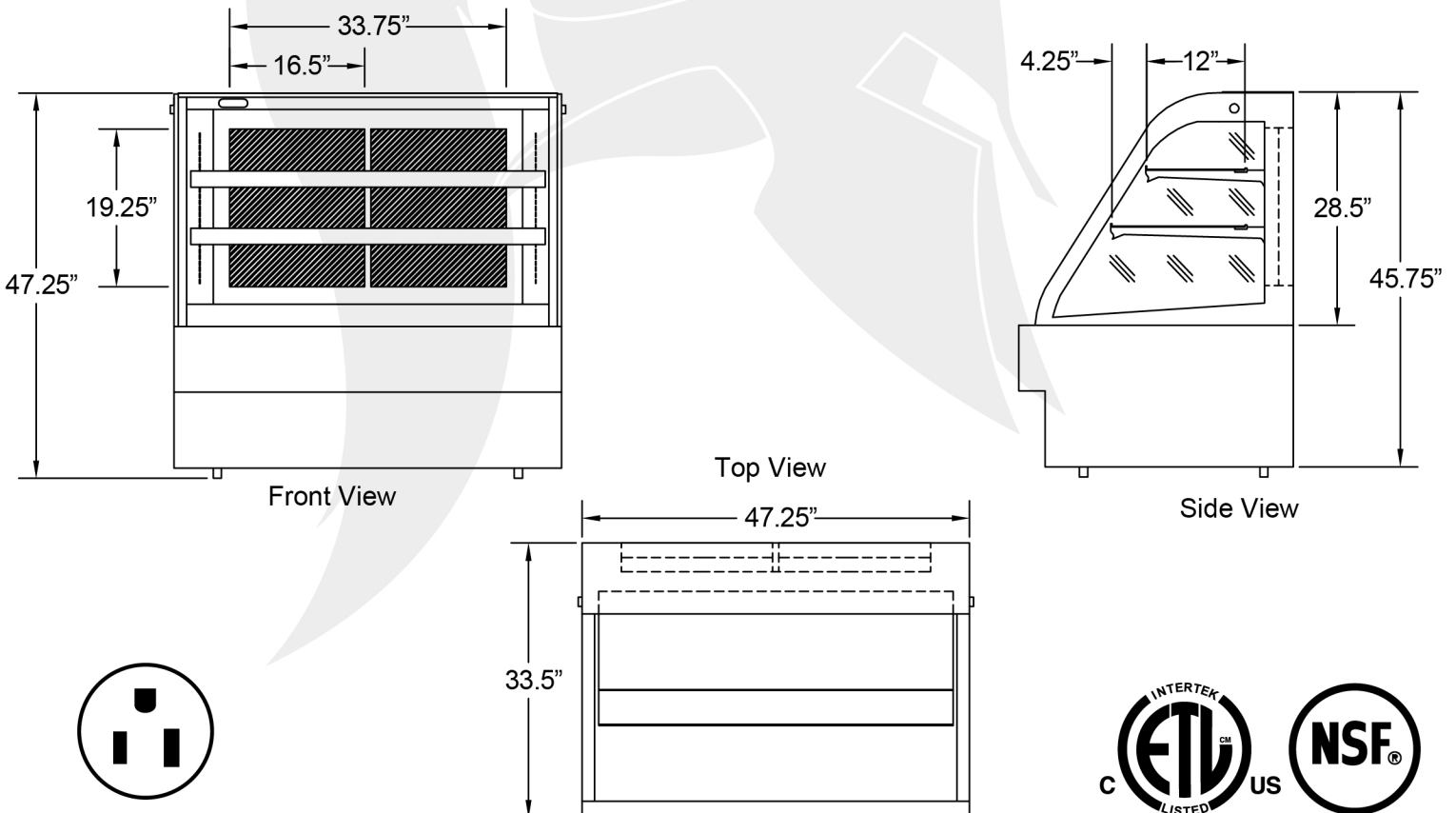
| | |
|---------------------|------------------------------|
| Exterior Material | 201 series stainless steel |
| Interior Material | Glass |
| Insulation Material | Foamed in place polyurethane |
| Shelf Load Capacity | 44 lbs |

Cooling

| | |
|------------------------------------|-------------|
| Temperature Range | 33° - 40° F |
| Refrigerant | R290 |
| Maximum Ambient Temperature Rating | 90° F |
| Defrosting | Automatic |
| Temperature Display | Yes |
| Temperature Controller | Mechanical |
| H/P | 3/8 |

Electrical

| | |
|---------|-----|
| Voltage | 110 |
| Amps | 6 |
| Hz | 60 |
| Phase | 1 |



NEMA 5-15P

