



Electrolux

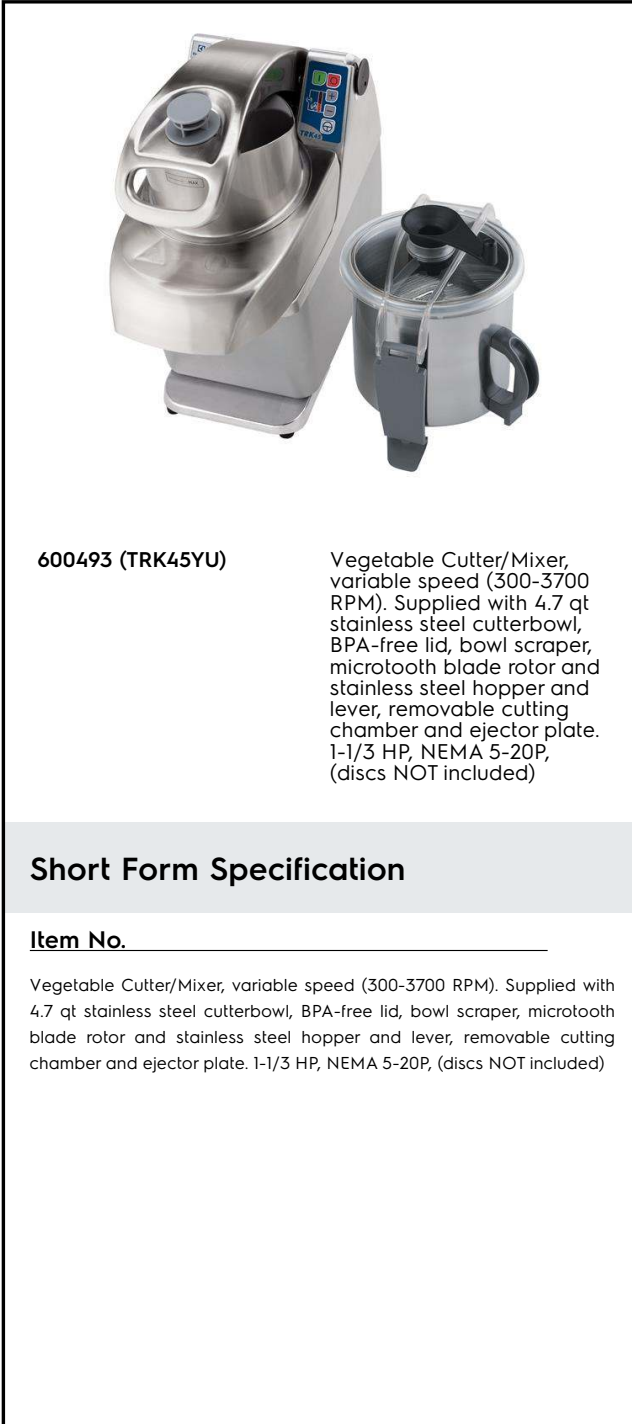
Vegetable Slicer TRK45 Cutter Slicer - 4.5 QT - Variable Speed

ITEM # _____
 MODEL # _____
 NAME # _____
 SIS # _____
 AIA # _____



Electrolux

TRK45 Cutter Slicer - 4.5 QT - Variable Speed
Vegetable Slicer



600493 (TRK45YU)

Vegetable Cutter/Mixer, variable speed (300-3700 RPM). Supplied with 4.7 qt stainless steel cutterbowl, BPA-free lid, bowl scraper, microtooth blade rotor and stainless steel hopper and lever, removable cutting chamber and ejector plate. 1-1/3 HP, NEMA 5-20P, (discs NOT included)

Short Form Specification

Item No. _____

Vegetable Cutter/Mixer, variable speed (300-3700 RPM). Supplied with 4.7 qt stainless steel cutterbowl, BPA-free lid, bowl scraper, microtooth blade rotor and stainless steel hopper and lever, removable cutting chamber and ejector plate. 1-1/3 HP, NEMA 5-20P, (discs NOT included)

Main Features

- 3 in 1 machine: cutter, emulsifier and vegetable slicer to slice, grate, liquidise, mix and mince in a matter of seconds.
- Incl system to incline motor base at 20° to better fit the vegetable slicer attachment.
- Delivered with: 1 gallon (4,5 lb) stainless steel cutter bowl, transparent lid, scraper and microtoothed blade rotor.
- Vegetable slicer unit has slicing, grating, shredding (julienne) as well as dicing and french fries capabilities.
- Long vegetables round hopper integrated in the feed arm, 3/4 moon roundish hopper to limit pre-cutting operations.
- Emulsifier function (scraper) included as standard.
- Base fixed cover for a better handling.
- Pulse function to coarse chopping.
- All parts in contact with food are removable without the use of tools, completely dismountable and dishwasher safe.
- Automatic restart of the machine with the 3/4 moon shaped pusher in position.
- Magnetic safety system and motor brake. Prevents machine from running when vegetable preparation lever and/or hopper are lifted or when cutter lid is not properly closed.
- Automatic speed limitation according to the selected function (slicer or cutter).
- Complete and wide selection of blades and grids available, Diameter of blades and grids are 8" (205mm).
- TRK45 - 1 kW.
- Available upon request:
 - Automatic cylindrical hopper (dia=280 mm), long vegetable hopper (3 tubes) and cabbage hopper.

Construction

- Stainless steel bowl has a high chimney to ensure high productivity also when processing liquids (75% of the nominal capacity).
- Food processing at 10 variable speeds: 300-3700 rpm.
- Power: TRK45 - 1.3 HP.
- Compact and portable design.
- Improved ventilation system to manage smoothly heavy duty use.
- Improved incl system for better stability.
- Improved fixing of long vegetable hopper pusher.

Included Accessories

- 1 of Lid & bowl scraper, 4.7 quart, for cutter/mixer PNC 650099
- 1 of Microtooth blade rotor for 4.7 quart cutter/mixer PNC 653580
- 1 of Bowl, 4.7 quart, for cutter/mixer, stainless steel PNC 653589
- 1 of TRS & TRK ejector plate PNC 653772

Optional Accessories



APPROVAL: _____



Electrolux

**Vegetable Slicer
TRK45 Cutter Slicer - 4.5 QT -
Variable Speed**

- Microtooth blade rotor for 4.7 quart cutter/mixer for emulsions PNC 650039
- Julienne Disc 5/32" (4mm) PNC 650077
- Julienne Disc 1/4" (6mm) PNC 650078
- Julienne Disc 5/16" (8mm) PNC 650079
- Julienne Disc 3/8" (10mm) PNC 650080
- Slicing Disc 0.6mm (can be combined with Dicing Grids (MT) and Grids for Chips (FT)) PNC 650081
- Slicing Disc 1/32" (1mm) (can be combined with Dicing Grids (MT) and Grids for Chips (FT)) PNC 650082
- Slicing Disc 5/64" (2mm) (can be combined with Dicing Grids (MT) and Grids for Chips (FT)) PNC 650083
- Slicing Disc 1/8" (3mm) (can be combined with Dicing Grids (MT) and Grids for Chips (FT)) PNC 650084
- Slicing Disc 5/32" (4mm) (can be combined with Dicing Grids (MT) and Grids for Chips (FT)) PNC 650085
- Slicing Disc 3/16" (5mm) (can be combined with Dicing Grids (MT) and Grids for Chips (FT)) PNC 650086
- Slicing Disc 1/4" (6mm) (can be combined with Dicing Grids (MT) and Grids for Chips (FT)) PNC 650087
- Slicing Disc 5/16" (8mm) (can be combined with Dicing Grids (MT) and Grids for Chips (FT)) PNC 650088
- Wavy Slicing Disc 5/64" (2mm) (can be combined with Dicing Grids (MT) and Grids for Chips (FT)) PNC 650089
- Wavy Slicing Disc 1/8" (3mm) (can be combined with Dicing Grids (MT) and Grids for Chips (FT)) PNC 650090
- Wavy Slicing Disc 1/4" (6mm) (can be combined with Dicing Grids (MT) and Grids for Chips (FT)) PNC 650091
- Bistrot Pack, Stainless Steel Disc Set containing one each of: C2S 5/64" (2mm) slicing disc, C5S 3/16" (5mm) slicing disc, J2X 5/64" (2mm) grating disc PNC 650092
- Gastronomy Pack, Stainless Steel Disc Set containing one each of: C2S 5/64" (2mm) slicing disc, C5S 3/16" (5mm) slicing disc, J2X 5/64" (2mm) grating disc, AS4X 5/32" x5/32" (4x4mm) shredding disc, C10PS 3/8" (10mm) presser/slicer, MT10T 3/8"x3/8" (10x10mm) dicing grid PNC 650093
- - NOT TRANSLATED - PNC 650100
- Julienne Disc 5/64" x 5/16" (2 x 8mm) PNC 650158
- Julienne Disc 5/64" x 3/8" (2 x 10mm) PNC 650159
- Slicing Disc 3/8" (10mm) (can be combined with Dicing Grids (MT) and Grids for Chips (FT)) PNC 650160
- Slicing Disc 15/32" (12mm) (can be combined with Dicing Grids (MT) and Grids for Chips (FT)) PNC 650161
- Wavy Slicing Disc 5/16" (8mm) (can be combined with Dicing Grids (MT) and Grids for Chips (FT)) PNC 650162
- Wavy Slicing Disc 3/8" (10mm) (can be combined with Dicing Grids (MT) and Grids for Chips (FT)) PNC 650164
- Slicing Disc 33/64" (13mm) (can be combined with Dicing Grids (MT) and Grids for Chips (FT)) PNC 650165
- Julienne Disc 5/64" (2mm) PNC 650166
- Julienne Disc 1/8" (3mm) PNC 650167
- Set of 4 Stainless Steel Discs containing one each of: C2S 5/64" (2mm) slicing disc, C5S 3/16" (5mm) slicing disc, J2X 5/64" (2mm) grating disc and J7X 9/32" (7mm) grating disc PNC 650178
- Set of 7 Stainless Steel Discs containing one each of: C2S 5/64" (2mm) slicing disc, C5S 3/16" (5mm) slicing disc, J2X 5/64" (2mm), J7X 9/32" (7mm) grating disc, AS4X 5/32"x5/32" (4x4mm) shredding disc, C10PSB 3/8" (10mm) presser/slicer, MT10T 3/8"x3/8" (10x10mm) dicing grid PNC 650179
- Stainless steel work table assembly. PNC 653283
- Dicing Grid 3/16" x 3/16" (5 x 5mm) (can be combined with Slicing Discs [C] and Wavy Slicing Discs (CW)) PNC 653566
- Dicing Grid 5/16" x 5/16" (8 x 8mm) (can be combined with Slicing Discs [C] and Wavy Slicing Discs (CW)) PNC 653567
- Dicing Grid 3/8" x 3/8" (10 x 10mm) (can be combined with Slicing Discs [C] and Wavy Slicing Discs (CW)) PNC 653568
- Dicing Grid 15/32" x 15/32" (12 x 12mm) (can be combined with Slicing Discs [C] and Wavy Slicing Discs (CW)) PNC 653569
- Dicing Grid 25/32" x 25/32" (20 x 20mm) (can be combined with Slicing Discs [C] and Wavy Slicing Discs (CW)) PNC 653570
- Grid for Chips 1/4" (6mm) (can be combined with Slicing Discs [C] and Wavy Slicing Discs (CW)) PNC 653571
- Grid for Chips 5/16" (8mm) (can be combined with Slicing Discs [C] and Wavy Slicing Discs (CW)) PNC 653572
- Grid for Chips 3/8" (10mm) (can be combined with Slicing Discs [C] and Wavy Slicing Discs (CW)) PNC 653573
- Smooth blade rotor for 4.7 quart cutter/mixer PNC 653579
- Microtooth blade rotor for 4.7 quart cutter/mixer PNC 653580
- Bowl, 4.7 quart, for cutter/mixer, stainless steel PNC 653589
- Smooth blade rotor for 4.7 quart cutter/mixer for emulsions PNC 653614
- TRS & TRK ejector plate PNC 653772
- Grating Disc 5/64" (2mm) PNC 653773
- Grating Disc 1/8" (3mm) PNC 653774
- Grating Disc 5/32" (4mm) PNC 653775
- Grating Disc 9/32" (7mm) PNC 653776
- Grating Disc 11/32" (9mm) PNC 653777
- Grating Disc for breadcrumbs/potatoes PNC 653778



Electrolux

**Vegetable Slicer
TRK45 Cutter Slicer - 4.5 QT -
Variable Speed**

- Grating Disc for parmesan/chocolate

PNC 653779

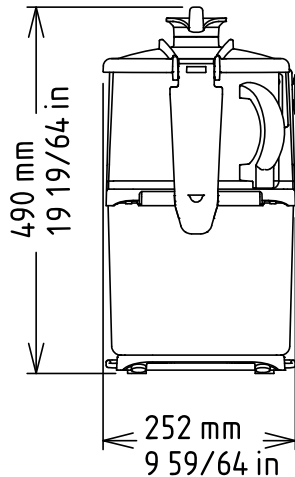




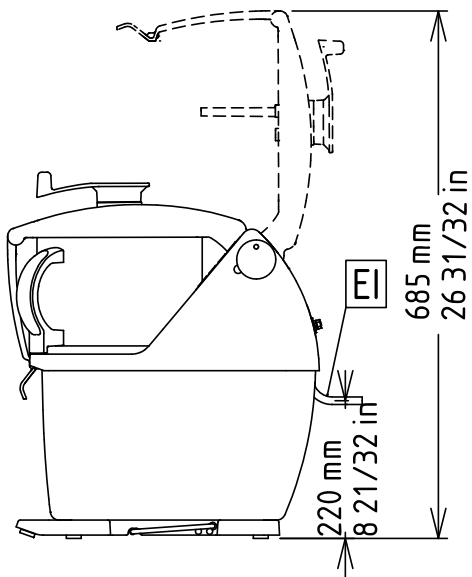
Electrolux

**Vegetable Slicer
TRK45 Cutter Slicer - 4.5 QT -
Variable Speed**

Front

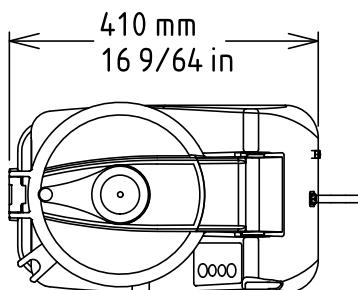


Side



EI = Electrical connection

Top



Electric

Supply voltage:	
600493 (TRK45YU)	110-120 V/1N ph/60 Hz
Total Watts:	1 kW
Plug type:	USA NEMA 5-15P

Key Information:

External dimensions, Width:	9 15/16" (252 mm)
External dimensions, Depth:	19 1/16" (485 mm)
External dimensions, Height:	19 7/8" (505 mm)
Shipping width:	12 13/16" (325 mm)
Shipping depth:	32 1/16" (815 mm)
Shipping height:	23 5/8" (600 mm)
Shipping weight:	72 lbs (32.5 kg)



Electrolux

**Vegetable Slicer
TRK45 Cutter Slicer - 4.5 QT -
Variable Speed**

**Vegetable Slicer
TRK45 Cutter Slicer - 4.5 QT - Variable Speed**

The company reserves the right to make modifications to the products
without prior notice. All information correct at time of printing.

2018.09.14