



PROJECT NAME: \_\_\_\_\_

LOCATION: \_\_\_\_\_

ITEM: \_\_\_\_\_ QTY: \_\_\_\_\_

MODEL: \_\_\_\_\_

# SRCM SERIES CHEESEMELTERS

Sierra's SRCM Series is a gas powered Cheese Melter that is built with Sierra quality and power in mind. It has a fully stainless exterior that will keep its shine for years. The interior is aluminized steel and the unit comes with a nickel plated shelf that has three adjustable positions. The SRCM also has a full width removable drip pan to make clean-ups easier.



**SRCM-36**

The included wall mount brackets allow positioning the cheese melter on a wall for easy access and to save counter space.



4" stainless steel counter-top legs or range mount kit are optional.

## STANDARD FEATURES

- 🔥 Wall mounted brackets included for easy wall mounting.
- 🔥 Rapid Fire ceramic infrared tile burners.
- 🔥 Each burner is individually controlled.
- 🔥 Three adjustable rack positions.
- 🔥 Fully stainless steel exterior.
- 🔥 Ignition by standing pilot.
- 🔥 Drip pan is easily removed for cleaning.
- 🔥 The SRCM is shipped from the factory, ready for natural gas installation. An LP conversion kit is included with each unit.



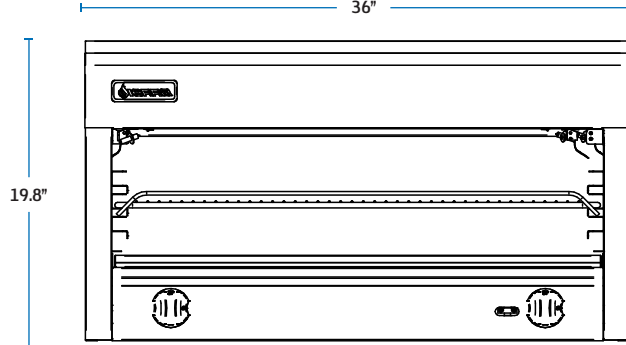
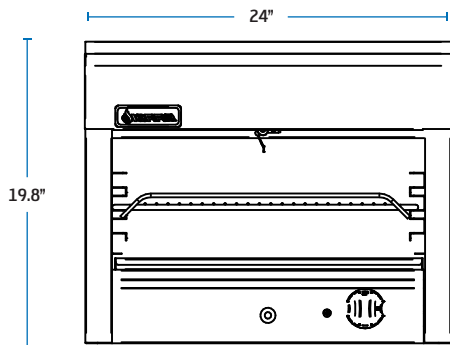
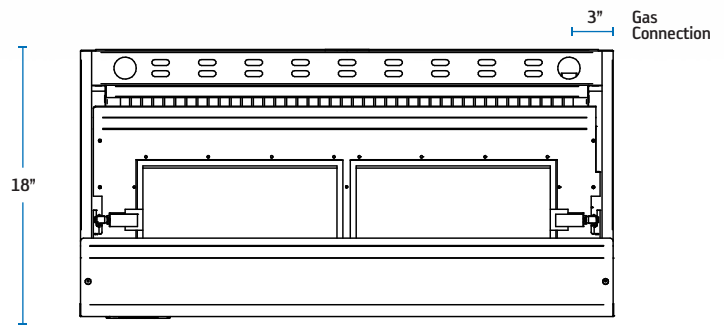
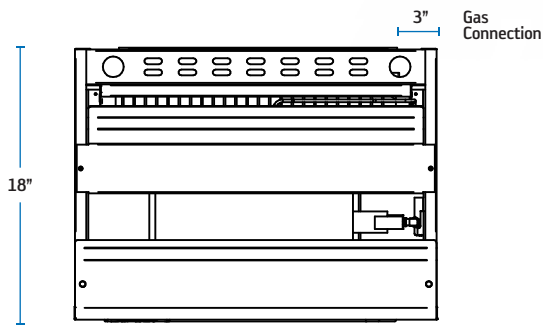
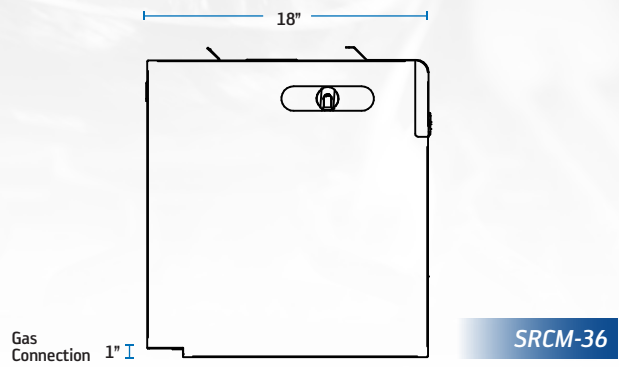
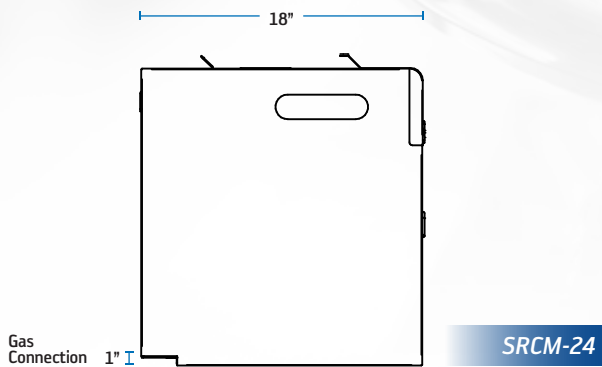
Tel.: 786.600.4687 / Toll Free: 844.218.8477  
Fax: 786.661.4100



Tel.: 514.737.9701 / Toll Free: 888.275.4538  
Fax: 514.342.3854 / Toll Free: 877.453.8832  
sales@mvpgroupcorp.com



www.mvpgroupcorp.com



## SPECIFICATIONS

MODEL NUMBER	EXTERNAL DIMENSIONS (WxDxH)	NUMBER OF BURNERS	BTU'S PER BURNER	TOTAL BTU	NET WEIGHT	SHIPPING WEIGHT
SRCM-24	24" x 18" x 19.8"	1	20,000	20,000	95 LBS	105 LBS
SRCM-36	36" x 18" x 19.8"	2	20,000	40,000	150 LBS	160 LBS

**Warranty:** 12 months parts & labor.

**Gas Connection:** 3/4" NPT on the right hand rear of the appliance. The pressure regulator (supplied) is to be connected here by the installer.

**Gas pressure:** 5" W.C. - Natural Gas | 10" W.C. - Propane

**Combustible Clearances:** For use in non-combustible locations | Non-combustible Clearances: 0 inches sides, 0 inches rear  
Specify type of gas and altitude, if over 2,000 feet, when ordering.

**SIERRA RANGE** is a registered trademark of **MVP Group**.

Due to continuing product development, to ensure best possible performance, the specifications are subject to change without prior notice.

