



PROJECT NAME: \_\_\_\_\_

LOCATION: \_\_\_\_\_

ITEM: \_\_\_\_\_ QTY: \_\_\_\_\_

MODEL: \_\_\_\_\_

# SRMG SERIES MANUAL GRIDDLES

Sierra Griddles feature all-stainless steel construction, the SRMG Series has a powerful capacity of 23,000 BTU per each "U" burner. The griddle feature a modern look and design, form and function fit for the most demanding kitchens at an affordable price. All with the ease of modular customization.



\* SRMG Griddles have an enlarged cooking depth of 21-3/8" to maximize your cooking surface area.

\*Stainless steel stand with adjustable legs is optional.

## STANDARD FEATURES

- ☀ All non-ferrous stainless steel construction: interior, exterior, front, sides, landing ledge and valve controls.
- ☀ Heavy gauge welded front frame.
- ☀ "U" shaped burners rated at 23,000 BTU/hr. Located every 12" for even heat distribution on griddle surface.
- ☀ 2-5/8" wide grease trough for easy cleaning.
- ☀ Removable grease tray.
- ☀ One stainless steel standing pilot for each flute for instant ignition.
- ☀ Aeration baffles between "U" shaped burners to provide uniform surface temperature.
- ☀ Highly polished 3/4" thick steel griddle plates.\*
- ☀ Back and side splashes are welded to griddle plate for easy cleaning.
- ☀ Compact design for counter top use.
- ☀ 4" S/S adjustable legs and 1" levelling feet included.
- ☀ Features a full 6" landing edge for increased plate stability.
- ☀ The SRMG is shipped from the factory, ready for natural gas installation. An LP conversion kit is included with each unit.

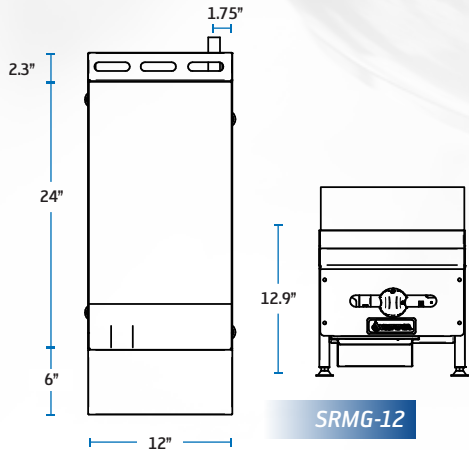


Tel.: 786.600.4687 / Toll Free: 844.218.8477  
Fax: 786.661.4100



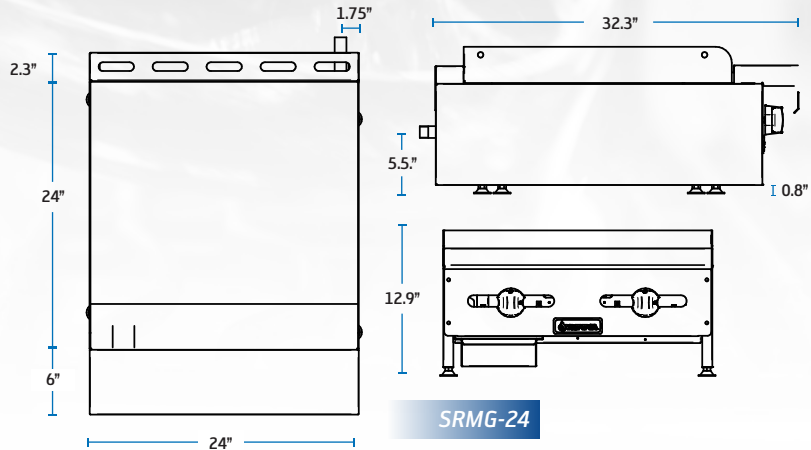
Tel.: 514.737.9701 / Toll Free: 888.275.4538  
Fax: 514.342.3854 / Toll Free: 877.453.8832  
sales@mvpgroupcorp.com

**MVP**  
GROUP  
www.mvpgroupcorp.com

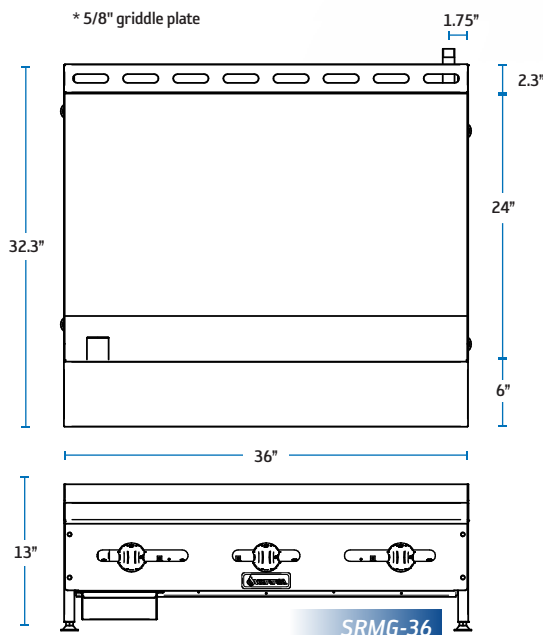


SRMG-12

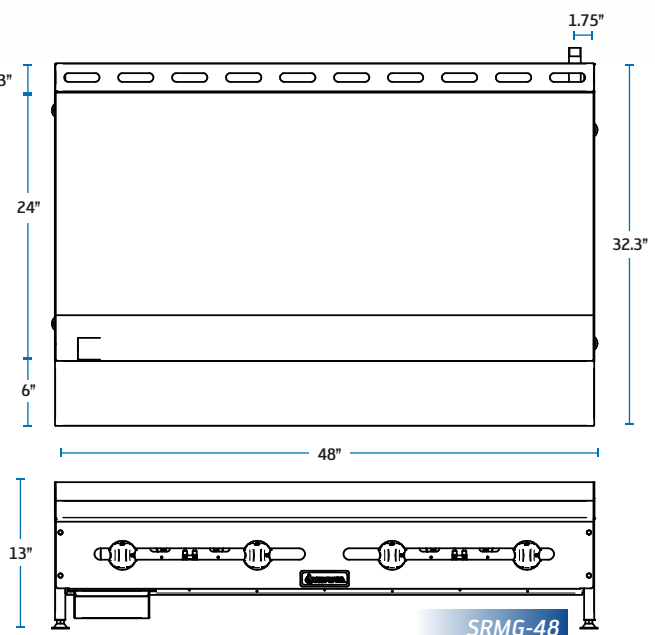
\* 5/8" griddle plate



SRMG-24



SRMG-36



SRMG-48

## SPECIFICATIONS

MODEL NUMBER	EXTERNAL DIMENSIONS (WxDxH)	NUMBER OF BURNERS	BTU'S PER BURNER	TOTAL BTU	NET WEIGHT	SHIPPING WEIGHT
SRMG-12	12" x 32.3" x 12.9"	1	23,000	23,000	105 LBS	125 LBS
SRMG-24	24" x 32.3" x 12.9"	2	23,000	46,000	143 LBS	174 LBS
SRMG-36	36" x 32.3" x 13"	3	23,000	69,000	198 LBS	242 LBS
SRMG-48	48" x 32.3" x 13"	4	23,000	92,000	253 LBS	304 LBS

**Warranty:** 12 months parts & labor.

**Gas Connection:** 3/4" NPT on the right hand rear of the appliance. The pressure regulator (supplied) is to be connected here by the installer.

**Gas pressure:** 5" W.C. - Natural Gas | 10" W.C. - Propane

**Combustible Clearances:** For use in non-combustible locations | Non-combustible Clearances: 0 inches sides, 0 inches rear  
Specify type of gas and altitude, if over 2,000 feet, when ordering.



Intertek



Intertek

**SIERRA RANGE** is a registered trademark of **MVP Group**.

Due to continuing product development, to ensure best possible performance, the specifications are subject to change without prior notice.



Tel.: 786.600.4687 / Toll Free: 844.218.8477  
Fax: 786.661.4100



Tel.: 514.737.9701 / Toll Free: 888.275.4538  
Fax: 514.342.3854 / Toll Free: 877.453.8832  
sales@mvpgroupcorp.com



www.mvpgroupcorp.com