

LIGHT DUTY COFFEE GRINDERS



MADE IN ITALY

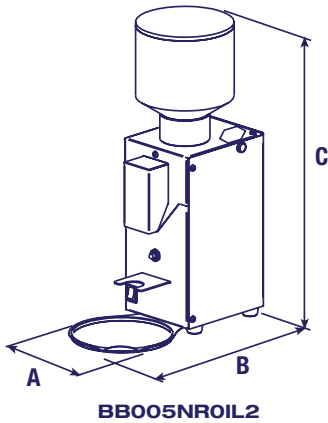


BB005NR0IL2

- Light duty 304 Stainless Steel Construction
- Semi-Professional use
- Micrometrical grinding setting
- Dosage by on/off switch



BB004NR0IL2



SPECIFICATIONS

	BB005NR0IL2	BB004NR0IL2
Voltage	110V /60 Hz	
Power	100 W	
RPM	900	1340
Conic Grindstones	Ø 1.9"	Ø 5"
Hopper	220 gr (0.5 lbs)	
Grinding	8.8 lbs / h	
Doser	No	Yes
Product Dimensions	5.1" (A) x 10.2" (B) x 15.7" (C)	5.9" (A) x9.8" (B) x 13.88" (C)
Net Weight	8.8 lbs	12 lbs
Gross Weight	12 lbs	15 lbs

ACCESSORY

STATION+BLIND FILTER AND COFFEE TAMPER WITH WOODEN KNOB



5963175