



STAINLESS STEEL PANS

MODELS

KFM-GL-(40, 60, 80)-S

CURVED GLASS GELATO CASE

LOW TEMPERATURE • FORCED AIR REFRIGERATION • LIFT UP TEMPERED FRONT GLASS
12, 16, AND 22 PAN CONFIGURATIONS • CASES CAN BE MULTIPLIED



AUTODESK®
REVIT®

SELF CONTAINED	Model	O.A. Length (inches)	Electrical 115 Volts				Defrost Amp	Weight lbs
			Compressor		LIGHTS Fans HTRS	Total Amps		
			Case Temp	F.L.A				
	KFM-GL-40-S	40.4	-4 / -7 °F	10.0	0.26	10.3	22.9	661
	KFM-GL-60-S	58.2	-4 / -7 °F	(2) 10.0	0.49	20.5	26.4	860
	KFM-GL-80-S	77.5	-4 / -7 °F	(2) 10.0	0.53	20.5	26.4	992

STANDARD FEATURES

Tempered side glass
 CFC free injected foam insulation
 Silver colored PVC coated steel front panel
 PVC coated steel gray interior
 Black steel kick plate
 All trim and glass supports-aluminum
 Stainless steel pans
 Lift up tempered front glass
 Thermopane end glass
 Stainless steel work bench
 Removable rear plexiglass sliding doors
 Temperature and defrost regulated by a digital controller
 Levelling feet

OPTIONAL FEATURES

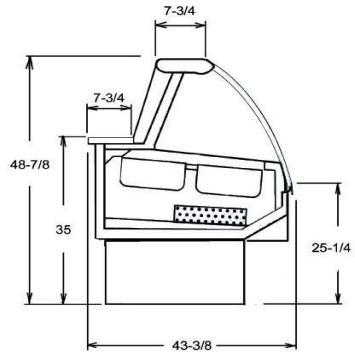
Stainless steel interior exterior
 Other colors available

PAN CONFIGURATIONS

(10) Pans 14-1/8" long x 6-1/2" wide x 6" deep KFM-GL-40-S
 (16) Pans 14-1/8" long x 6-1/2" wide x 6" deep KFM-GL-60-S
 (22) Pans 14-1/8" long x 6-1/2" wide x 6" deep KFM-GL-80-S

WARRANTY

One year parts and labor with an additional four years on the compressor (part only)



Standard Mounting



Levelling Feet

Optional Mounting




Adjustable Legs




Casters

NOTE

These cases are engineered to operate in locations not exceeding 75°F and 55% R.H. These cases are designed to operate using R404a refrigerant. Ventilation grills at front and back cannot be blocked.

 Tel: 786.600.4687 / Toll Free: 844.218.8477
 Fax: 786.661.4100

 Tel: 514.737.9701 / Toll Free: 888.275.4538
 Fax: 514.342.3854 / toll free: 877.453.8832

06/2017 sales@mvpgroupcorp.com / mvpgroupcorp.com