



REFRIGERATED REAR STORAGE

MODELS

KPM-OF-(60, 80, 100)-S

KPM-OF-(60, 80, 100)-R

**OPEN FRONT DELI CASE DESIGNED FOR
DELI PRODUCTS AND PACKAGED MEAT**

CASE HOLDS 33°F TO 40°F • FORCED AIR REFRIGERATION • TEMPERED FRONT AND SIDE GLASS
REFRIGERATED REAR STORAGE • CASES CAN BE MULTIPLEXED



AUTODESK®
REVIT®

SELF CONTAINED	Model	O.A. Length (inches)	Volume FT ³		Electrical 115 Volts						NEMA 115 V Plug	Weight lbs		Crate Size (inches)		
			Front	Rear	Compressor			LIGHTS Fans	EVAP Pan	Total Amps		No Crate	With Crate	L"	W"	H"
					H.P	F.L.A	L.RA									
	KPM-OF-60-S	60	9.29	5.33	1/2	9.6	49	0.83	3.3	14.08	5-15P	407	630	67	44	42
	KPM-OF-80-S	77.5	12.15	8.76	1/2	9.6	49	0.96	3.3	14.08	5-15P	495	758	85	44	42
	KPM-OF-100-S	101.2	16.00	13.41	5/8	8.9	47	1,31	3.3	13.51	5-15P	620	939	108	44	42

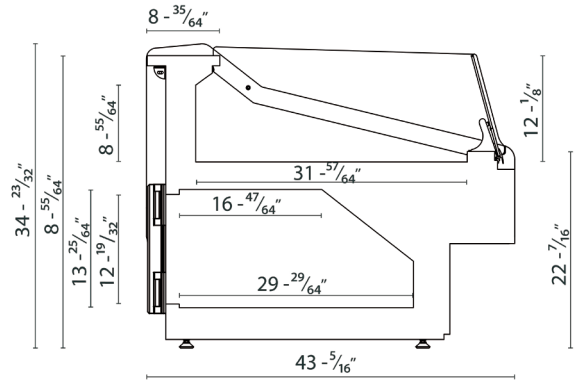
REMOTE	Model	O.A. Length (inches)	Number of Read Doors	115 Volts Total Amps	B.T.U	Weight lbs	
						No Crate	With Crate
							KPM-OF-60-R
	KPM-OF-80-R	77.5	2	0.70	3253	440	703
	KPM-OF-100-R	101.2	3	1.05	4372	565	884

STANDARD FEATURES

- Tempered side glass
- CFC free injected foam insulation
- Silver colored PVC coated steel front panel
- PVC coated steel gray interior
- Black steel kick plate
- Foamed polystyrene black end panels
- Rear work bench
- Temperature and defrost regulated by a digital controller
- Removable condensate evaporating pan for easy cleaning on self contained units
- Slide out condensing unit on self-contained units
- Digital thermometer
- Levelling feet

OPTIONAL FEATURES

- Stainless steel interior and / or exterior
- Other colors available
- White epoxy bi-level wire racks
- 2 or 3 level step sham
- Scale stand with receptacle
- Cutting board
- Knife support
- Joining Kit
- Partition
- Condensate evaporating pan
- Casters add 4-3/8" to height
- Stainless steel legs are adjustable from 5-1/8" to 7-5/8"



Standard Mounting



Levelling Feet

Optional Mounting



Adjustable Legs

Casters

NOTE

These cases are engineered to operate in locations not exceeding 75°F and 55% R.H. These cases are designed to operate using R404a refrigerant. Alternate refrigerants available by special order. O.A. length includes (2) ends at 1-1/2" each. Ventilation grills at front and back cannot be blocked. B.T.U.'s are calculated at 14°F (evaporator) and 90°F (ambient). Remote cases are provided with an expansion valve and a liquid solenoid for pump down cycle. On remote cases, if no floor drain is provided, a condensate evaporating pan must be ordered and 3.3 amps added to the amp load. Remote cases must be hard wired – no plugs.

WARRANTY

One year parts and labor with an additional four years on the compressor (part only)

Tel: 786.600.4687 / Toll Free: 844.218.8477
Fax: 786.661.4100

Tel: 514.737.9701 / Toll Free: 888.275.4538
Fax: 514.342.3854 / toll free: 877.453.8832

06/2017 sales@mvpgroupcorp.com / mvpgroupcorp.com



Hydra - Kool is a registered trademark of MVP Group Corp.
SPECIFICATIONS SUBJECT TO CHANGE WITHOUT NOTICE