

## MODEL: DPP70-9-S2

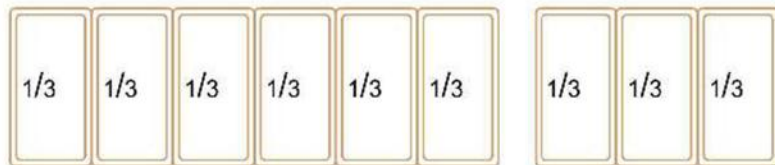
### Features and Benefits

- \* High Resistance to Dust, high quality condensers
- \* R290 Natural Refrigerant, promotes faster cool down and efficient energy consumption
- \* 3-year parts and labor, 5-year compressor warranty
- \* Stainless steel inside and outside, sealed interior floors and rounded cabinet corners for easy cleaning
- \* Self-closing doors with stay open feature.
- \* Adjustable, heavy duty shelves
- \* 6-inch polycarbonate 1/3 pans with durable clear food pan cover.



### Technical Specifications

Voltage/Frequency	115V 60Hz
Refrigerant	R290
Type of Defrost	Automatic
Exterior Finish	Stainless steel
Interior Finish	Stainless steel
Net Weight	297lbs
Total Capacity	17.58 cu ft
Total Current	2.8A
Climatic Category	4/5
Nema Config.	5-15P



MODEL NO	TEMPERATURE RANGE ( °F )	EXTERNAL DIMENSION W X D X H (INCHES)	PACKING, CARTON W X D X H (INCHES)	DOOR	40GP CONTAINER CERTIFICATION
DPP70-9-S2	33°- 41° F	69 7/8" X 31 1/2" X 43 1/4"	71 7/8" X 33 7/8" X 47 1/4"	2	28

# FOOD PREP TABLE REFRIGERATOR

## MODEL: DPP70-9-S2

Model:	DPP70-9-S2
Rated Voltage:	115V AC
Rated Frequency:	60Hz
Total Input Power:	310W
Total Current:	2.8A
Total Capacity:	17.58cu ft
Refrigerant:	R290/4.76oz
Climatic Category:	4/5
Protection Type	I
Design pressure	High Side :300PSIG Low Side:150PSIG
Insulation Blowing Gas	C-pentane
Net Weight:	297lbs
NEMA Cofig.	5-15P
1/3 Pan Count	9

## STANDARD FEATURES

### SIDE MOUNT COMPRESSOR

The side mount compressor structure is placed in the coolest possible area, provides quick and easy service

### HIGH QUALITY STEEL

Interior and exterior high quality steel minimizes dents, scratches and rust

### HIGH DENSITY POLYURETHANE INSULATION CFC

free and high density cell foam is Eco-friendly and more energy efficient

### STURDY, CLEAN STAINLESS SHELVING

High quality coated stainless shelves may prevent peel and rust.

### SELF-CLOSING DOOR SYSTEM

Door Automatically close at 60°

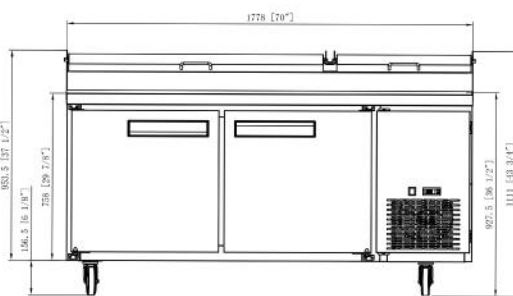
REFRIGERATORS HOLDS 33°- 41° F FOR BEST IN REFRIGERATORS



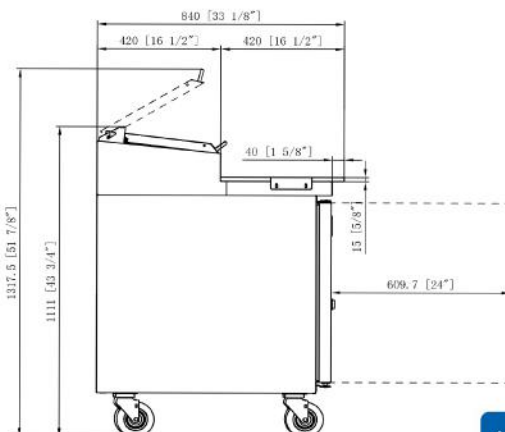
NEMA 5-15P  
115/60/1

## PLAN VIEW

FRONT VIEW



SIDE VIEW



AQ AutoQuotes