

FOOD PREP TABLE REFRIGERATOR - REGULAR

MODEL: DSP60-16-S2

Model:	DSP60-16-S2
Rated Voltage:	115V AC
Rated Frequency:	60Hz
Total Input Power:	280W
Total Current:	2.4A
Total Capacity:	14.33 cu ft
Refrigerant:	R290/3.88 oz
Climatic Category:	4/5
Protection Type	I
Design pressure	High Side :300PSIG Low Side:150PSIG
Insulation Blowing Gas	C-pentane
Net Weight:	275 lbs
NEMA Cofig.	5-15P
1/6 Pan Count	16

STANDARD FEATURES

BACK MOUNT COMPRESSOR

The back mount compressor structure is placed in the coolest possible area, provides quick and easy service

HIGH QUALITY STEEL

Interior and exterior uses high-quality steel to minimize dents, scratches and rust

HIGH DENSITY POLYURETHANE INSULATION CFC

free and high density cell foam is Eco-friendly and more energy efficient

STURDY, CLEAN STAINLESS SHELVING

high quality coated stainless shelves prevent peel and rust.

SELF-CLOSING DOOR SYSTEM

door Automatically closes at 60°

REFRIGERATORS OPERATE AT

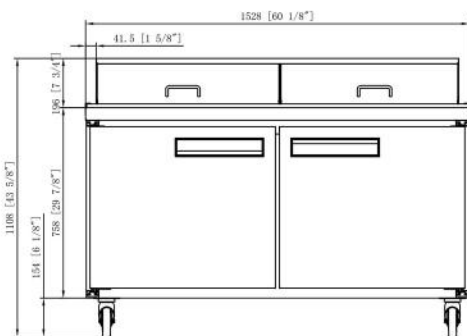
33°- 41° F



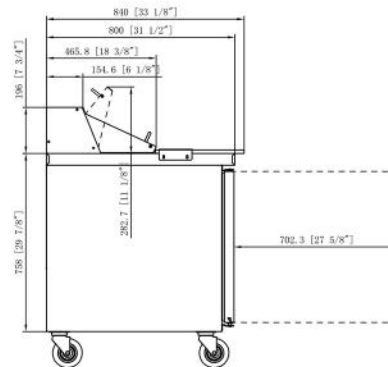
NEMA 5-15P
115/60/1

PLAN VIEW

FRONT VIEW



SIDE VIEW



California Office
2488 Peck Road,
City of Industry, CA 90601
(562) 568-4060
www.dukersusa.com

New Jersey Office
475 S Clinton Ave
South Plainfield, NJ 07080
(800) 608-9289
info@dukersusa.com

Georgia Office
6513 Warren Dr
NW Norcross, GA 30093
(678) 580-3960
service@dukersusa.com

Texas Office
1444 N Cockrell Hill Rd
#104 Dallas, TX 75211
(469) 421-1040
Warrenrty@dukersusa.com

MODEL: DSP60-16-S2

Features and Benefits

- * High Resistance to Dust, high quality condenser
- * R290 Natural Refrigerant, promotes faster cool down and efficient energy consumption
- * 3-year parts and labor, 5-year compressor warranty
- * Stainless steel inside and outside, sealed interior floors and round cabinet corners for easy cleaning
- * Self-closing doors with stay open feature.
- * Adjustable, heavy duty shelves
- * Insulated canopy safely maintains a steady temperature range from 33-41 degrees.
- * 4-inch polycarbonate 1/6 pans with durable clear food pan cover.



Technical Specifications

Voltage/Frequency	115V 60Hz
Refrigerant	R290
Type of Defrost	Automatic
Exterior Finish	Stainless steel
Interior Finish	Stainless steel
Net Weight	275 bs
Total Capacity	14.33 cu ft
Total Current	2.4A
Climatic Category	4/5
Nema Config.	5-15P



MODEL NO	TEMPERATURE RANGE (° F)	EXTERNAL DIMENSION WXDXH(INCHES)	PACKING,CARTON WXDXH(INCHES)	DOOR	40GP CONTAINER CERTIFICATION
DSP60-16-S2	33°- 41° F	60" X 31½" X 45¾"	61 5⁄8" X 33 1⁄8" X 50 3⁄4"	2	44