

BISON

REFRIGERATION

Includes 1 Year Parts + Labor / 5 Year Compressor Warranty
BUF-48 2 Door Undercounter Freezer

Dimensions

Exterior Dimensions (Inches)	48.125" x 30" x 37.125"
Interior Dimensions (Inches)	45" x 24" x 24"
Packaging Dimensions (Inches)	51" x 33.5" x 37.7"
Capacity (cu. ft.)	12 cu. ft.
Gross Weight (lbs)	232 lbs

Construction

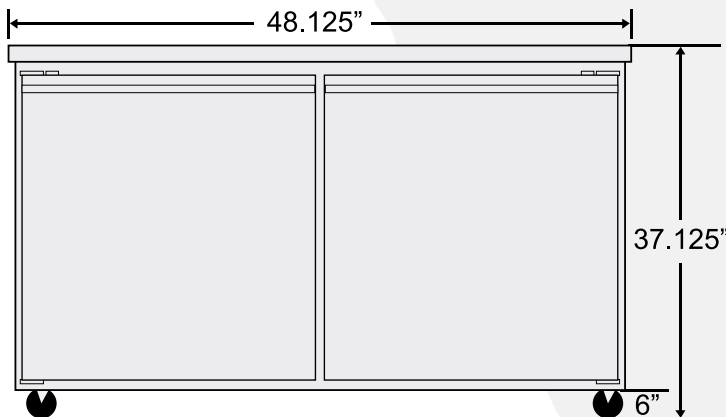
Exterior Material	430 series stainless steel
Interior Material	430 series stainless steel
Insulation Material	Polyurethane
Insulation Thickness (mm)	45
# of Doors	2
# of Shelves	2
Shelf Material	Plastic coated steel
Shelf Load Capacity (lbs/pc)	155 lbs

Cooling

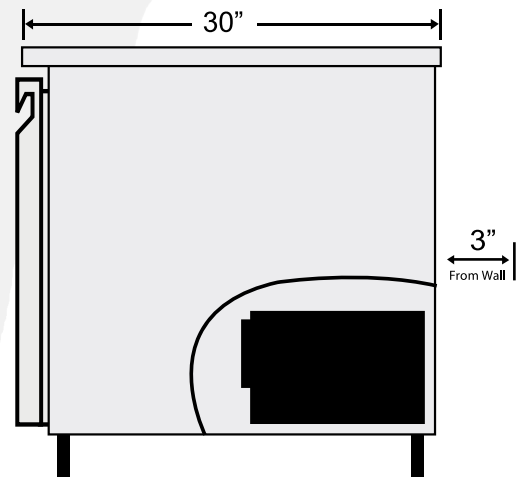
Temperature Range	-8° ~ -1° F
Refrigerant	R-404A
Refrigerant Amount (oz)	19.4
Maximum Ambient Temperature Rating	100.4° F
Defrost Method	Electric Defrost
Defrost Power (W)	500
Cooling Method	Ventilated
Temperature Controller	Thermostat
Compressor H/P	1/2

Electrical

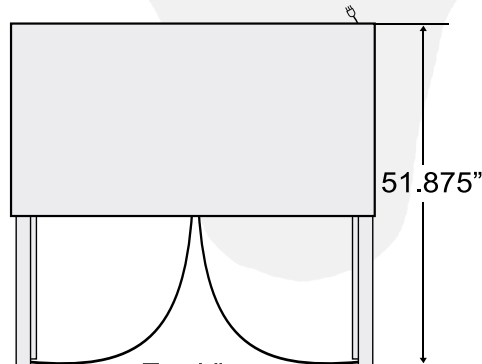
Voltage (v/Hz)	115/60
Power (W)	600
Power Consumption (kw/24hr)	6
Phase	1



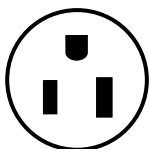
Front View



Side View



Top View



NEMA 5-15P

