

PROJECT: \_\_\_\_\_

LOCATION: \_\_\_\_\_

ITEM#: \_\_\_\_\_

QUANTITY: \_\_\_\_\_


**C-02RM**

**C-04RM**

# COUNTER-TOP / UNDER-COUNTER HINGED GLASS DOOR REFRIGERATORS

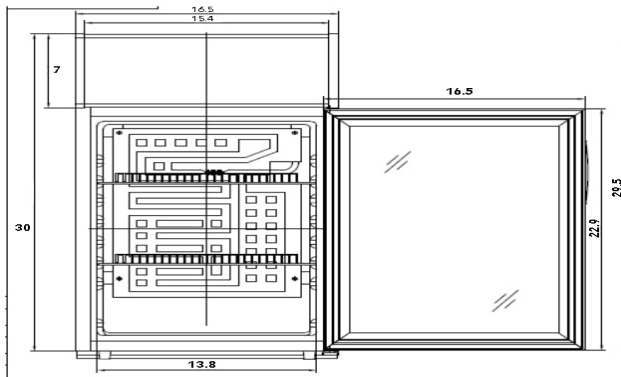
- Beautiful ergonomic construction
- White powder coated steel exterior and interior
- Forced air refrigeration system
- Electro-mechanical thermostat
- Recessed door handles
- LED interior lighting
- Bright lighted top display sign
- Low-E, Dual pane glass
- Heavy duty ABS extruded door frame
- Pre-installed shelves and leveling feet
- Whisper quiet operation
- Migali® Protection Plan: 1 Year Parts & Labor Warranty, 5 Years Compressor Warranty

MODEL	DOORS	CAPACITY CU/FT	SHELVES	H/P	AMPS	VOLTAGE	ENERGY CONSUMPTION KWH/24 HR	PLUG TYPE	TEMP RANGE	EXTERIOR DIMENSIONS W X D X H*	INSIDE DIMENSIONS W X D X H**	PACKAGED DIMENSIONS W X D X H**	WEIGHT	PACKAGED WEIGHT
C-02RM	1	2	2		0.7	115/60/1	0.85	Nema 5-15P	+33° F (~) +41° F	16.5" x 18.1" x 31"	12.8" x 13.8" x 20.3"	18" x 19.5" x 35"	48.5 lbs.	55 lbs.
C-04RM	1	4	3		0.9	115/60/1	1.2	Nema 5-15P	+33° F (~) +41° F	18.9" x 18.1" x 33.5"	20.9" x 15.9" x 17.3"	20.5" x 19.5" x 37.5"	68 lbs.	74 lbs.

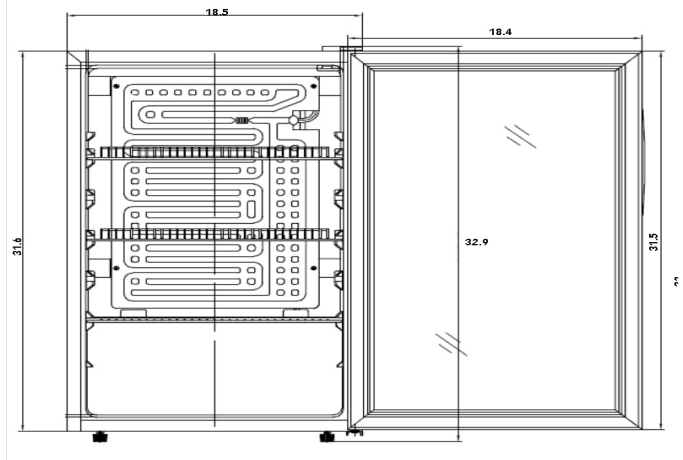
NOTE: MIGALI® RESERVES THE RIGHT TO CHANGE SPECIFICATIONS WITHOUT NOTICE

# DIMENSIONAL DRAWINGS

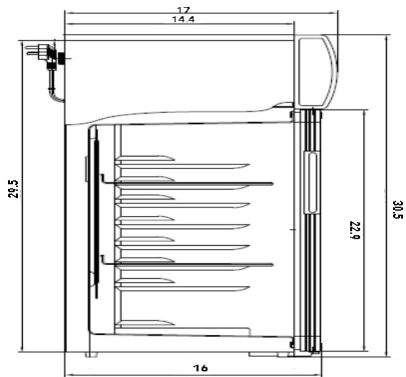
**C-02RM**



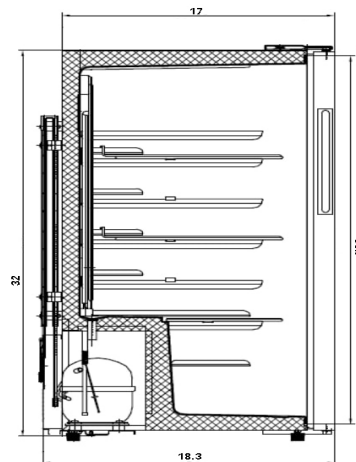
**C-04RM**



**C-02RM  
SIDE VIEW**



**C-04RM  
SIDE VIEW**



MIGALI® REMAINS AN AMERICAN FAMILY COMPANY SINCE 1955