

## Commercial All Metal Vegetable Processor



Shown with  
optional R198  
Food Tray  
Cart

Optional  
Bulk Feed  
Assembly has  
french fry  
capability.

- Four different interchangeable heads available which permit machine to adapt to a wide variety of vegetable processing functions on a continuous feed basis.
- New heavy-duty 3-phase, 2-speed, 4HP motor; 425 RPM on low speed, 850 RPM on high speed, magnetic safety switch.
- Control panel with push-type "high & low" buttons and "stop" button.
- Compact design, four legs and special handle facilitates moving.
- Optional stainless steel cart with castors holds full size food box (R198) to aid in handling large volume processing.
- Stainless steel motor base.
- Packed with 2 processing discs (C446SA & C450GPA) as standard.
- Unit is water resistant, easy to clean and designed to conform to strict sanitation standards.
- 1 year warranty on parts and labor.

## High Volume Vegetable Prep. Up to 1,200 lbs. per hour

For high volume processing for a wide range of sizes and shapes of vegetables and fruits. Magnetic safety switch. Accommodates 39 different processing discs. Comes with large lead assembly and one slicing and one grating disc.



**Robot Coupe U.S.A., Inc.**

P.O. Box 16625

Jackson, MS 39236-6625

1-800-824-1646 • (601) 898-8411

Fax: (601) 898-9134

www.robotcoupeusa.com • e-mail: info@robotcoupeusa.com

**SPECIFICATIONS ON REVERSE SIDE**

## Specifications

**STANDARD PACK:** Motor base unit with large lead assembly and two discs, one 1/8" (3mm) slicing disc and one 1/8" (3mm) medium grating disc.

**ELECTRICAL REQUIREMENTS:** 4 H.P., 208/240V, 60Hz, Two-Speed (425/850 RPM), 5.3/5.8 Amps, Three Phase. Contact your electrician for local code requirements. NEMA L15-20 Electrical Plug.

**SWITCHING:** Control panel with high and low buttons, also a stop button.

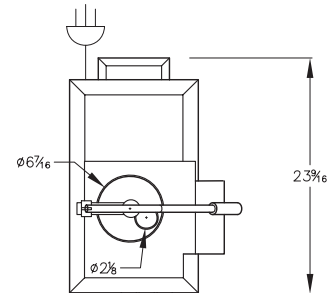
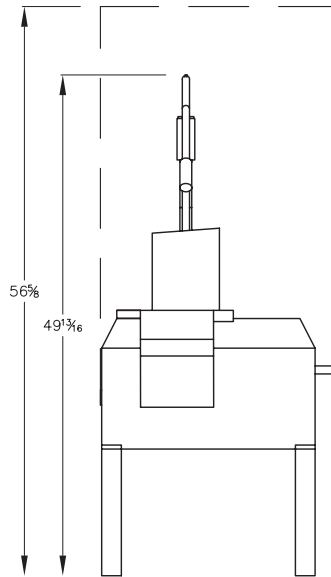
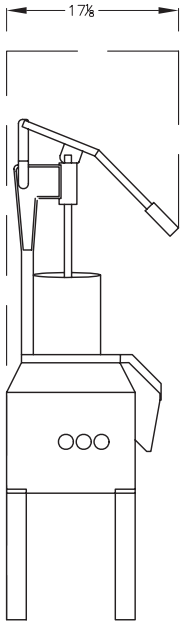
**MOTOR:** Heavy duty, 2-speed, 4 HP, 425 RPM on low speed, 850 RPM on high speed.

**WEIGHT:** 150 lbs. approximate shipping wt.

PROCESSING DISCS			
* For Series D machines only		**French Fry Kits available for Bulk Feed units ONLY.	
<b>Slicing Discs</b>		<b>Grating Discs</b>	
28062	1/32" (1mm)	28270	1/16" (1.5mm)
28063	5/64" (2mm)	28057	5/64" (2mm)
28064	1/8" (3mm)	28058	1/8" (3mm)
28004	5/32" (4mm)	28073	5/32" (4mm)
28128*	3/16" (5mm)	28163	3/16" (5mm)
28129*	5/16" (8mm)	28164	9/32" (7mm)
28130*	3/8" (10mm)	28165	11/32" (9mm)
28131*	9/16" (14mm)	28055	Fine Pulping
28081	3/4" (19mm)	28061	Hard Cheese Grate
28132*	25/32" (20mm)		
28133*	1" (25mm)		
<b>Ripple Cut Slicers</b>		<b>French Fry Kits**</b>	
27068	5/64" (2mm)	28134*	5/16" (8mm)
27069	1/8" (3mm)	28135*	3/8" (10mm)
27070	3/16" (5mm)		
		<b>Romaine Lettuce Kit</b>	
		28133/104031	2"
		<b>Julienne Discs</b>	
		28051	5/64" x 5/64" (2mm x 2mm)
		27072	5/64" x 5/32" (2mm x 4mm)
		27066	5/64" x 1/4" (2mm x 6mm)
		27067	5/64" x 5/16" (2mm x 8mm)
		28052	5/32" x 5/32" (4mm x 4mm)
		28053	1/4" x 1/4" (6mm x 6mm)
		28054	5/16" x 5/16" (8mm x 8mm)
		<b>Dicing Kits</b>	
		28110	3/16" x 3/16" (5mm x 5mm)
		28111	5/16" x 5/16" (8mm x 8mm)
		28112	3/8" x 3/8" (10mm x 10mm)
		28113	9/16" x 9/16" (14mm x 14mm)
		28114	25/32" x 25/32" (20mm x 20mm)
		28115	1" x 1" (25mm x 25mm)

**OPTIONAL EQUIPMENT:** 37 additional processing discs. Single, free-standing 3-position disc rack or wall-mounted disc rack. R198 food box cart with container. 3 lead assemblies – Bulk feed assembly, Angle feed lead, small lead assembly.

**STANDARDS:** ETL electrical & sanitation, cETL (Canada)



**Robot Coupe U.S.A., Inc.**

P.O. Box 16625

Jackson, MS 39236-6625

1-800-824-1646

(601) 898-8411

Fax: (601) 898-9134

www.robotcoupeusa.com

e-mail: info@robotcoupeusa.com

## Distributed by: