



RESTAURANT SERIES STOCK POT RANGES

SERIES: BPSP



Bakers Pride® BPSP series stockposts are designed to handle large stock pots. Choose from 90,000 to 210,000 BTUH burners in a variety of configurations, including with one or two burners and two or three gas valves each. Burners are equipped with two continuous pilots for instant ignition. Lift-off, cast-iron top grates stand up to heavy pots, while the stainless steel, cabinet-style base adds durability and storage room. Other features include full-size, slide-out drip pans for easy cleanup and cool-touch knobs.

The wok models feature cool-touch knobs and a 125,000 BTUH jet burner with a durable wok ring (not detachable) with rolled front edge to prevent spills.

FEATURES AT A GLANCE

- **Stainless steel front, side, and cabinet base**
- **Three-ring burners**
- **Two valves per burner, each with continuous pilot**
- **90,000 to 210,000 BTUH on stock pots**
- **125,000 BTUH on wok model**
- **Slide-out drip pans**
- **Cool-touch knobs**
- **Heavy-duty, cast-iron top grate**
- **Chrome-plated, 6" (152 mm) legs with adjustable feet**

OPTIONS & ACCESSORIES

- **Quick disconnect and flexible gas hose**
- **Three valves per three-ring burner**



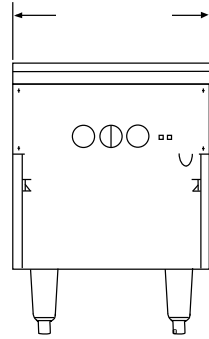
RESTAURANT SERIES STOCK POT RANGES

SERIES: BPSP

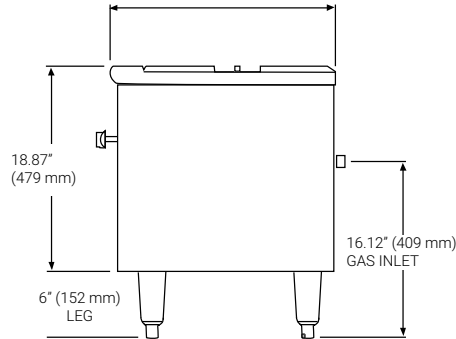
EQUIPMENT DIMENSIONS

See model widths in chart below

See model depths in chart below



FRONT VIEW



SIDE VIEW

MECHANICAL SPECIFICATIONS

Model #	Total BTUH	Burners	Valves	Wok Size	Overall Dim (W x H x D)	Carton Dim (W x H x D)	Cubic Feet	Cubic Meter	Ship Wt.
BPSP-18-2	90,000	One 3 ring	2		18" x 24.87" x 21" (457 x 632 x 533)				130 (59kg)
BPSP-18-3	105,000	One 3 ring	3		18" x 24.87" x 21" (457 x 632 x 533)				135 (61kg)
BPSP-18-2-D	180,000	Two 3 ring	2		18" x 24.87" x 42" (457 x 632 x 1067)				255 (116kg)
BPSP-18-3-D	210,000	Two 3 ring	3		18" x 24.87" x 42" (457 x 632 x 1067)				260 (118kg)
BPSP-36-2-D	180,000	Two 3 ring	2		36" x 24.87" x 21" (914 x 632 x 533)				260 (118kg)
BPSP-36-3-D	210,000	Two 3 ring	3		36" x 24.87" x 21" (914 x 632 x 533)				265 (120kg)
BPSP-18J-13	125,000	18 orifice jet	1	13"	18" x 30" x 21.5" (457 x 762 x 546)				105 (48kg)
BPSP-18J-16	125,000	18 orifice jet	1	16"	18" x 30" x 21.5" (457 x 762 x 546)				105 (48kg)

*Height includes 6" (152 mm) legs.

REQUIRED CLEARANCES

	Combustible
Left	10" (254 mm)
Right	10" (254 mm)
Back	4" (254 mm)

GAS CONNECTIONS

Manifold pressure is 5.0" W.C. or natural gas or 10.0" for propane gas. Manifold size is 3/4" NPT.
3/4" pressure regulator supplied with equipment to be installed at time of connection.
Must specify type of gas and elevation if over 2000 ft. when ordering.



Freight Class: 70
FOB: Allen, 75013

Bakers Pride reserves the right to modify specifications or discontinue models without incurring obligation. Dimensions nominal.

Bakers Pride Oven Company, LLC is a wholly owned subsidiary of Standex International Corporation.

11.13.2017

