

Project _____

Item Number _____

Quantity _____

GL50/GL80/GL120



GL50/GL80/GL120 GREENLINE Spiral Mixers

Models:

- GL50: 72 QUART (68 LITER) SPIRAL MIXER
- GL80: 137 QUART (130 LITER) SPIRAL MIXER
- GL120: 180 QUART (170 LITER) SPIRAL MIXER

Spiral Mixer

Features:

- Stainless steel bowl, spiral dough hook, and shaft
- Uses one motor instead of two giving an energy savings around 25% per work cycle
- Has two speeds and reverse capabilities all with one motor
- Control board has separate timers for 1st and 2nd speed
- Mixer is equipped with built in castors and leveling feet for easy positioning and set-up
- Safety switches protect operator from injury if bowl lid is open
- Powerful belt drive provides low vibration, low noise, and economical maintenance for years of reliable service
- *Not Made for Bagel Dough*



Dough Capacity:

GL50: 110lb (50kg)
GL80: 176lb (80kg)
GL120: 265lb (120kg)

Bowl:

1st speed: 8rpm
2nd speed: 16rpm

Dough hook:

1st Speed: 95rpm
2nd Speed: 190rpm

Univex Corporation

Standard Accessories:

- Stainless steel bowl
- Stainless steel dough hook

Warranty:

- One year, on-site parts and labor



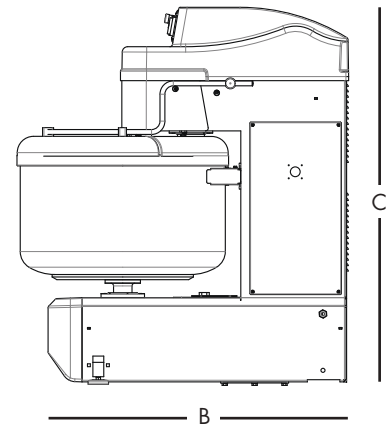
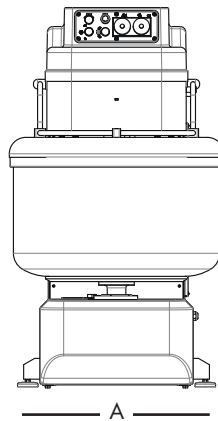
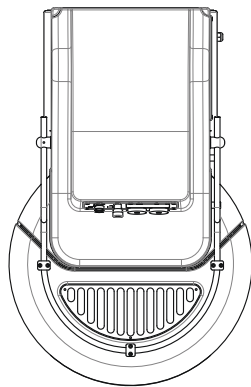
WE RAISE THE BAR. WE SET THE STANDARD.

GREENLINE Spiral Mixer

GL50/GL80/GL120

Line drawing is the GL120

	GL50	GL80	GL120
A	22" (55.9cm)	27" (68.6cm)	31" (78.74cm)
B	36" (91.44cm)	45" (114.3cm)	54" (137.16cm)
C	45" (114.3cm)	51" (129.54cm)	57" (144.78cm)



Electrical Information (60Hz)

Model	Voltage	Phase	hp(kW)	Amps
GL50	220	3	3.5 (2.6)	14
Optional Voltage	400	3	3.5 (2.6)	8.14
GL80	220	3	6 (4.5)	23.8
GL80 Optional Voltage	400	3	6 (4.5)	14.1
GL120	220	3	8.3 (6.1)	27.2
GL120 Optional Voltage	400	3	8.3 (6.1)	19.1

NEMA #:

GL50: L15-20-P
GL80: L16-30-P
GL120: Hard Wire
With Shutoff

Transmission: Heavy duty low noise and low vibration belt drive.

Bowl Guard: Swings open for full access to bowl. Guard must be closed for mixer operation.

Controls: Control panel with digital timers. Separate timers for high and low speed.
Security key for manual use. Bowl reverse direction switch.

Shipping Information

Model	Net Weight	Shipping Weight	Overall Dimensions
GL50	495 lbs. (224.5Kg)	605 lbs. (274.4Kg)	59" (149.9cm) H x 31" (78.7cm) W x 32" (81.3cm) D
GL80	728 lbs. (330.2Kg)	838 lbs. (380.1Kg)	67" (170.2cm) H x 31" (78.7cm) W x 50" (127cm) D
GL120	1,080 lbs. (489.9Kg)	1,190 lbs. (539.8Kg)	67" (170.2cm) H x 33" (83.8cm) W x 53" (134.6cm) D



Univex Corporation
www.Univexcorp.com

3 Old Rockingham Rd
Salem, NH 03079
United States of America

TEL: (800)258-6358
INTL TEL: (603)893-6191
FAX: (800)356-5614
INTL FAX: (603)893-1249