



WE RAISE THE BAR. WE SET THE STANDARD.

Project \_\_\_\_\_

Item Number \_\_\_\_\_

Quantity \_\_\_\_\_

SL50/SL80/SL120



## SL50 / SL80 / SL120 SILVERLINE Spiral Mixers

### Models:

- SL50: 70 QUART (68 LITER) SPIRAL MIXER
- SL80: 135 QUART (130 LITER) SPIRAL MIXER
- SL120: 180 QUART (170 LITER) SPIRAL MIXER

Spiral Mixer

### Features:

- Stainless steel bowl, spiral dough hook, and shaft
- Separate bowl and agitator motors
- Has two speeds and reverse function
- Control board has separate timers for 1st and 2nd speed
- Mixer is equipped with built in castors and leveling feet for easy positioning and set-up
- Safety switches protect operator from injury if bowl lid is open
- Powerful belt drive provides low vibration, low noise, and economical maintenance for years of reliable service



### Dough Capacity:

**SL50:** 110lb (50kg)  
**SL80:** 176lb (80kg)  
**SL120:** 265lb (120kg)

### Dough hook:

1st speed: 95 rpm  
 2nd speed: 190 rpm

### Bowl:

20 rpm

Univex Corporation

### Standard Accessories:

- Stainless steel bowl
- Stainless steel dough hook

### Warranty:

- One year, on-site parts and labor



**Univex Corporation**  
[www.Univexcorp.com](http://www.Univexcorp.com)

3 Old Rockingham Rd  
 Salem, NH 03079  
 United States of America

TEL: (800)258-6358  
 INTL TEL: (603)893-6191  
 FAX: (800)356-5614  
 INTL FAX: (603)893-1249



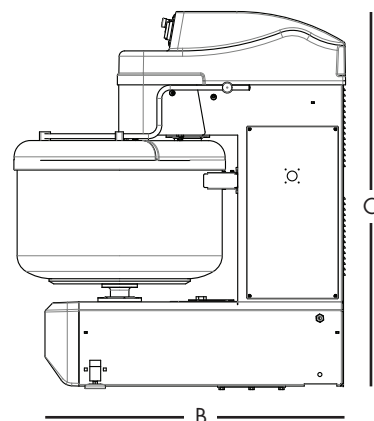
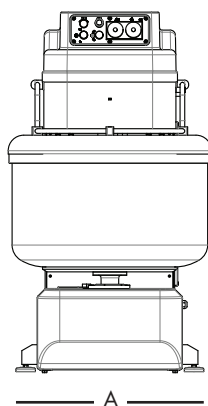
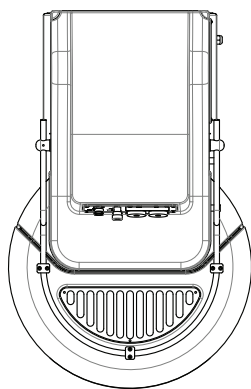
WE RAISE THE BAR. WE SET THE STANDARD.

# SILVERLINE Spiral Mixer

# SL50 / SL80 / SL120

Line drawing is the SL120

	SL50	SL80	SL120
A	21.4" (55cm)	27.6" (70cm)	30.7" (78cm)
B	34.3" (88cm)	44.1" (112cm)	53.9" (137cm)
C	46.6" (119cm)	49.2" (125cm)	57.1" (145cm)



## Electrical Information

Model	Voltage	Phase	Spiral hp(kW)	Bowl hp(kW)	Total hp(kW)	Spiral Amps	Bowl Amps	Total Amps
SL50	208-240	3	2.5/3.5 (1.9/2.6)	.75 (.55)	4.25 (3.15)	6.25	1.3	7.5
SL50	208	1	2.5/3.5 (1.9/2.6)	.75 (.55)	4.25 (3.15)	12.5	2.65	15.15
SL80	208-240	3	3.5/6 (2.6/4.5)	.75 (.55)	6.75 (5.05)	24.6	2.65	27.25
SL120	208-240	3	6/8.3 (4.4/6.1)	1 (.75)	9.3 (6.85)	28	3.68	31.68

NEMA #:

SL50: L15-20-P  
SL80: L16-30-P  
SL120: Hard Wire  
With Shutoff

**Transmission:** Heavy duty low noise and low vibration belt drive.

**Controls:** Control panel with digital timers. Separate timers for high and low speed. Security key for manual use. Bowl reverse direction switch.

**Bowl Guard:** Swings open for full access to bowl. Guard must be closed for mixer operation.

## Shipping Information

Model	Net Weight	Shipping Weight	Overall Dimensions
SL50	474 lbs. (215Kg)	548 lbs. (265Kg)	59" (150cm) H x 31" (78.7cm) W x 40" (101.6cm) D
SL80	728 lbs. (330Kg)	838 lbs. (380Kg)	67" (170cm) H x 31" (80cm) W x 50" (126cm) D
SL120	1,080 lbs. (490Kg)	1,190 lbs. (540Kg)	67.3" (171cm) H x 33" (83cm) W x 53" (135cm) D

\*The weight and dimensions of the pallet are included in the weight and dimensions above.



Univex Corporation  
www.Univexcorp.com

3 Old Rockingham Rd  
Salem, NH 03079  
United States of America

TEL: (800)258-6358  
INTL TEL: (603)893-6191  
FAX: (800)356-5614  
INTL FAX: (603)893-1249