



Model MIM75

Ice Maker - Self Contained



Model MIM75



The MIM75 produces up to 95 pounds of ice per day and includes a self-contained 25 pound storage bin. Stainless steel construction provides durability to a unit that is low-maintenance and easy to clean. The unit produces crystal clear bullet shaped ice cubes that work great for applications in homes, restaurants, bars, hotels, grocery stores, and more. Suitable for freestanding or built in applications, this unit will run on standard household electrical current and is NSF and UL approved for commercial use.

Maxx Ice's continuing commitment to quality products may mean a change in specification or pricing without notice.

Project Name:	
Location:	
Item:	Qty:
Model:	

FEATURE LIST	
Model:	MIM75
Description:	Self-Contained Ice Maker
Voltage:	120V/60Hz/1Ph, 220V/50Hz/1Ph
Amps:	11.4
Ice Type:	Individual Bullet
Ice Cube Size:	1 1/4" x 1 1/4" x 1 1/4" 32mm x 32mm x 32mm
Power Consumption:	12.0kWh / 100lbs of ice
Unit Weight:	93 lb / 42 kg
Unit Dimensions:	16 1/2" W x 21 3/8" D x 32 1/2" H 419mm W x 541mm D x 826mm H
Shipping Weight:	104 lb / 47 kg
Shipping Dimensions:	23" W x 19" D x 36" H 584mm W x 483mm D x 914mm H

MAXX ICE

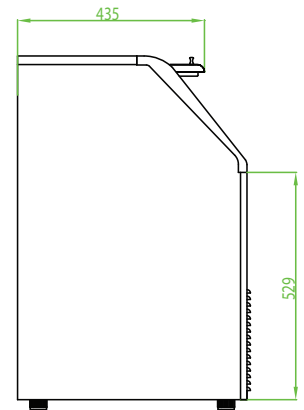
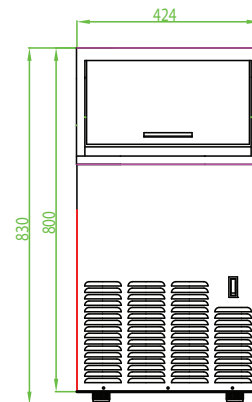
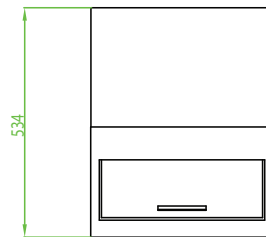
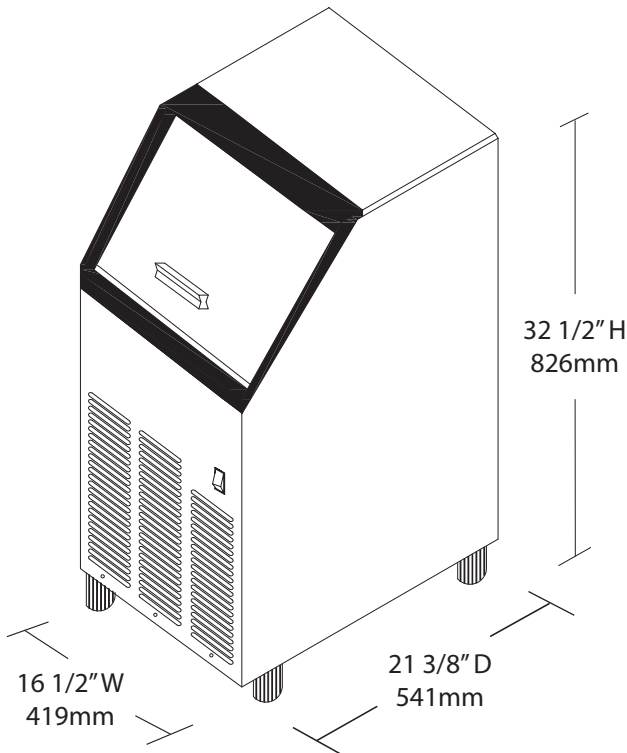
3355 Enterprise Avenue Fort Lauderdale, FL 33331
Tel: 954.202.7336 www.thelegacycompanies.com



MAXX ICE

Model MIM75

PLAN VIEW



- Up to 95 lb (43 kg) daily ice production (based on 50/70° F)
- Produces crystal clear bullet shaped ice cubes
- Stainless steel exterior
- 25lb storage bin with automatic overflow prevention
- Foamed in place insulation

- Air-cooled condenser
- Designed for household or commercial use
- For freestanding or built-in applications
- Requires use of a drain. Water filter recommended.



MAXX ICE

3355 Enterprise Avenue Fort Lauderdale, FL 33331
Tel: 954.202.7336 www.thelegacycompanies.com