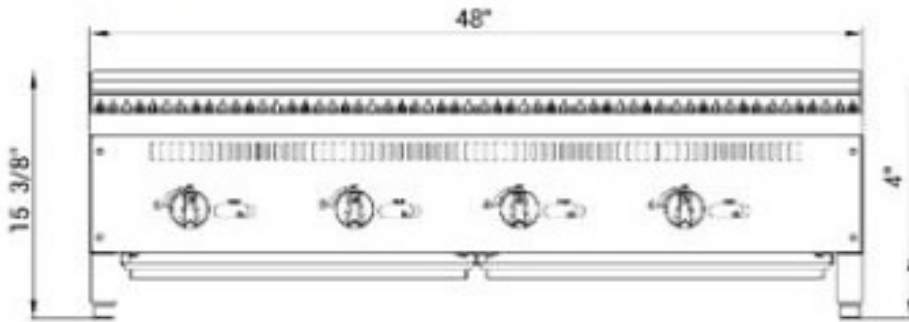


DETAILS & SPECIFICATIONS

CHARBROILER DCCB48

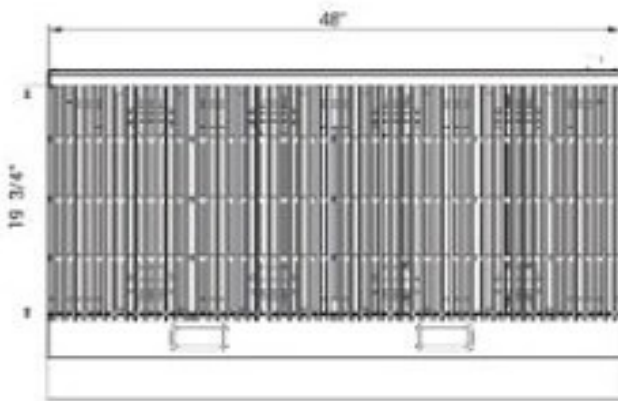
Front View



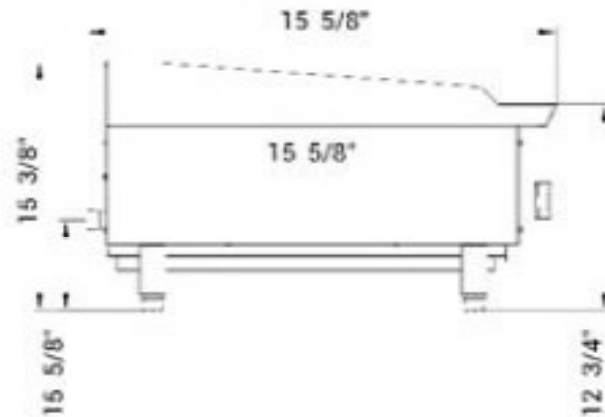
DCCB48

GAS SOURCE	NG/Propane
WORK AREA	47.83x20.47in
BURNER	4 count
SINGLE BURNER	35000 BTU/H
COMBINED	140000 BTU/H
GAS PRESSURE	NG: 4 "WC Propane: 10 "WC
NOZZEL	NG: 34# Propane: 49#
CONTAINER FITMENT	115

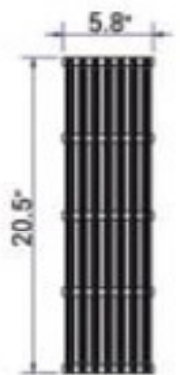
Top View



Side View



Racks



Equipped with
8 racks

Model	Packaging Dimensions (inches)			Net Weight (lbs)	Ship Weight (lbs)
	W	D	H		
DCCB48	50 1/4"	32 5/8"	20 1/2"	229.28	268.96



Los Angeles | San Francisco | Dallas

1-800-931-8628

info@dukersusa.com

Item # _____
 Qty # _____
 Model # _____
 Project # _____



CHARBROILER

DCCB48



Cast Iron Waste and Oil Drain

Radiant Burner

Radiant Burner Cover



Cast Iron Waste and Oil Drain

Charbroiler Knobs



PRODUCT DESCRIPTION

- + Stainless steel exterior and interior.
- + Double wall sides with stainless steel cabinet.
- 🔥 30,000 BTU Burners per 12" section with standby pilots.
- 🕒 Independent manual controls every 12".
- ❄️ "Cool-to-the-touch" front s/s edge.
- 🕒 Each Char Broiler shipped standard Natural gas, LP conversion kit included.
- 📏 Adjustable stainless steel legs, non-skid feet.
- 🗑️ Easy to remove full width crumb tray.



HIGH QUALITY STAINLESS STEEL & ROBUST DESIGN

* All measures are presented in inches



CHARBROILER MODEL

DIMENSION



DCCB48

Width	Depth	Height
48 in	28 3/4 in	15 3/8 in



Los Angeles | San Francisco | Dallas

1-800-931-8628

info@dukersusa.com