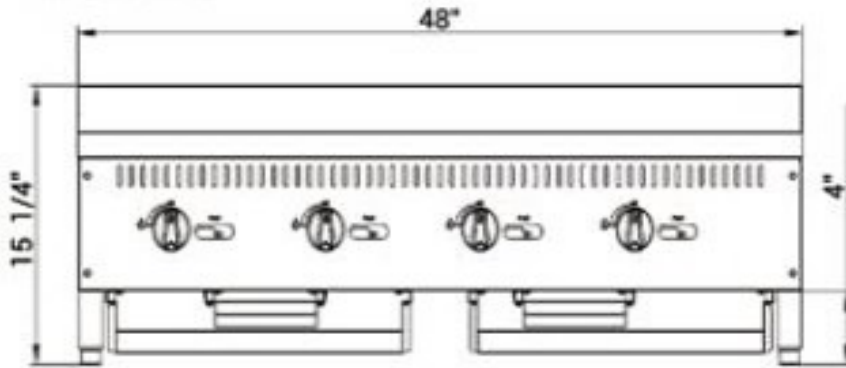


DETAILS & SPECIFICATIONS

GRIDDLER DCGMA48

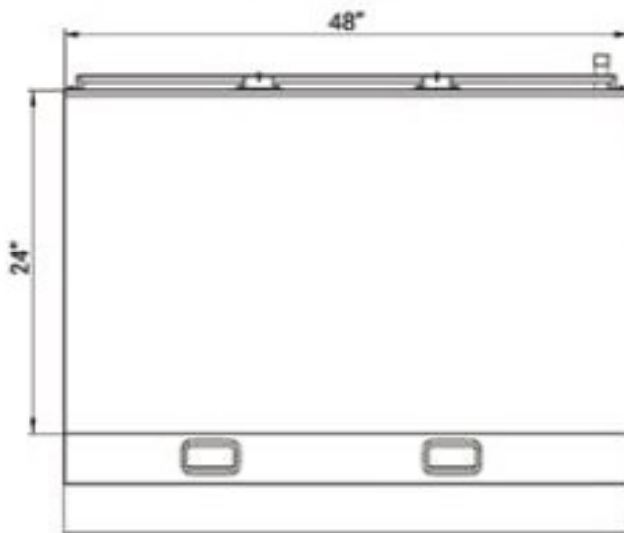
Front View



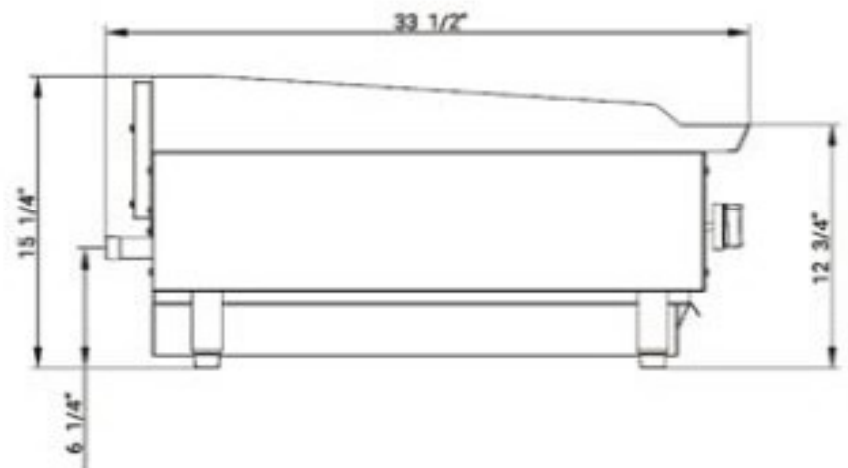
DCGMA48

GAS SOURCE	NG/Propane
WORK AREA	47.83x24.02in
BURNER	4 count
SINGLE BURNER	30000 BTU/H
COMBINED	120000 BTU/H
GAS PRESSURE	NG: 4 "WC Propane: 10 "WC
NOZZEL	NG: 37# Propane: 51#
CONTAINER FITMENT	110

Top View



Side View



Model	Packaging Dimensions (inches)			Net Weight (lbs)	Ship Weight (lbs)
	W	D	H		
DCGMA48	50 1/4"	36 1/4"	20 1/2"	515.88	555.57



Los Angeles | San Francisco | Dallas

1-800-931-8628

info@dukersusa.com

Item # _____
 Qty # _____
 Model # _____
 Project # _____



DUKERS
 Quality Commercial Refrigeration

GRIDDLE
DCGMA48



Waste Tray



Oil Tray



PRODUCT DESCRIPTION

-  Stainless steel exterior and interior.
-  30,000 BTU Burners per 12" section with standby pilots.
-  Independent manual controls every 12".
-  Heavy duty 1" thick polished steel griddle plate.
-  Each griddler is shipped with Standard Natural Gas, LP conversion kit.
-  Adjustable, stainless steel legs standard.
-  Full length seamless drip pan, easy to remove and clean.



HIGH QUALITY STAINLESS STEEL & ROBUST DESIGN

* All measures are presented in Inches



GRIDDLER MODEL	DIMENSION		
	Width	Depth	Height
DCGMA48	48 in	33 1/2 in	15 1/4 in



Los Angeles | San Francisco | Dallas

1-800-931-8628

info@dukersusa.com