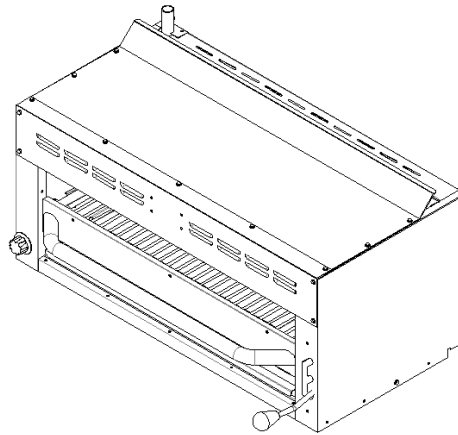
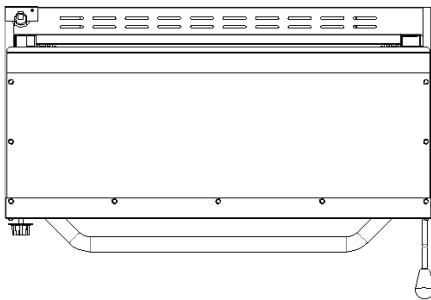
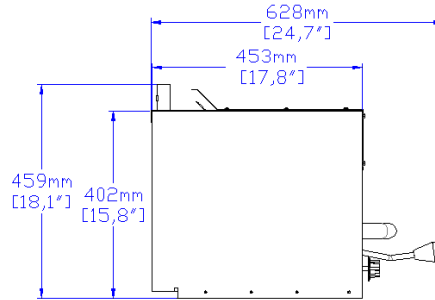
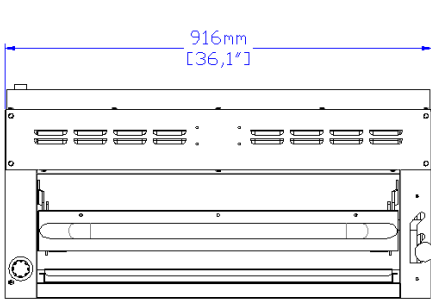


Gas Salamander Broiler

PRODUCT SPECIFICATIONS

- Stainless Steel front and Sides
- 35,000 BTU Infrared burner
- Manual gas control from 300°F to 1000°F
- Standing pilot ignition system
- Full width broiler pan
- 3/4" rear gas connection with regulator
- 3 Position Adjustable spring balanced rack
- Ball grip handle on adjustable rack for ease and comfort
- LP gas conversion kit included
- Ready to mount over any Core Pro 36 60 inch range
- 4" adjustable height, non-skid SS Legs included for countertop operation
- CP-SM36-WMK for direct wall mounting under exhaust hood (optional accessory)



Model	Gas Type	Number of Burners	Total BTU	Product Dimensions			Net Wt.
				Width	Depth	Height	
SR-SM36	NG	1	35,000	36"	25"	18"	128lbs

- . 3/4" NPT gas connection
- . NG gas 5" W.C. ; LP gas 10"W.C.
- . Legs adjustable from 4"-5 1/2" total leg height.

. Certification:

