

User's manual

Manual del usuario

Manuel de l'utilisateur

Customer Service
US: 1-800-645-2986

Servicio de atención al Cliente
US: 1-800-645-2986

Service à la clientèle
Canada: 888-645-2986

AIR CURTAIN

Models 246608, 246609 & 246610

⚠ CAUTION:

- READ and FOLLOW all instructions prior to operating the Air Curtain.
- Do NOT operate the unit if any equipment is damaged and/or missing.

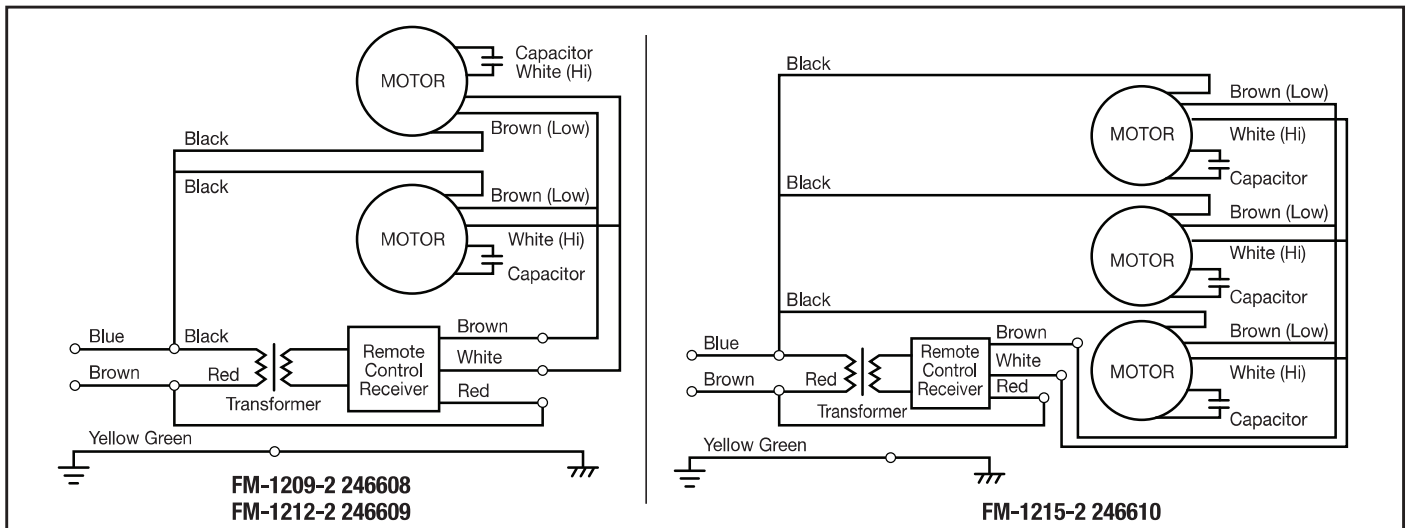
⚠ WARNING:

To reduce the risk of fire or electrical shock:

- Do NOT expose the unit to moisture, water, rain, or any other fluids.
- Do NOT use the Air Curtain in conjunction with any solid state speed control devices.
- Do NOT use the Air Curtain in windows. Rain and moisture may cause an electrical hazard.
- Disconnect the Air Curtain from the power source when not in use, when relocating, or prior to maintenance/ servicing.



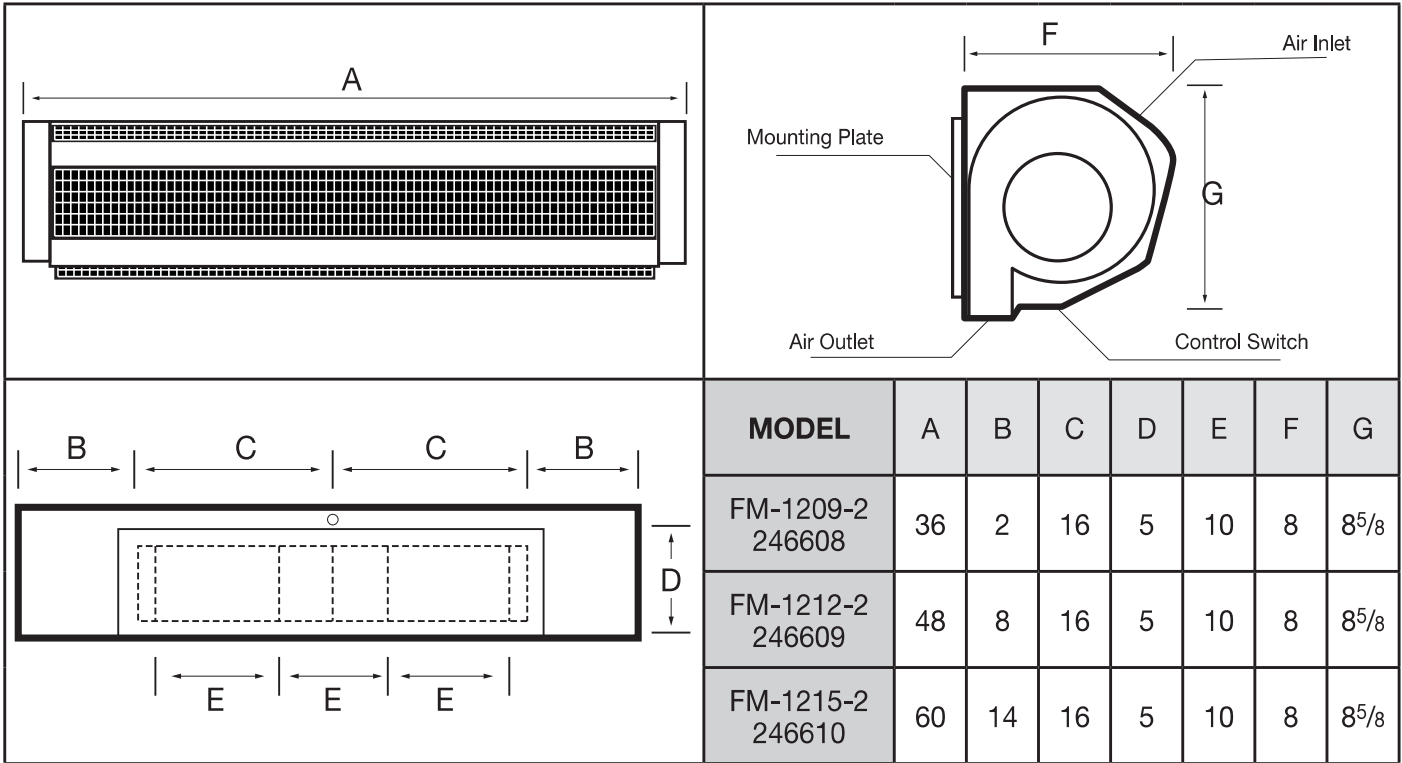
1. WIRING DIAGRAM



2. SPECIFICATIONS

Model	SIZE INCH	LOW				HIGH			
		Current A	Power W	Velocity m/s	Noise DB	Current A	Power W	Velocity m/s	Noise DB
FM-1209-2 246608	36	2.10	255	16	56	2.85	345	20	59
FM-1212-2 246609	48	2.65	320	16	56	3.50	425	20	59
FM-1215-2 246610	60	3.60	440	16	56	4.80	575	20	59

3. INSTALLATION DIMENSIONS

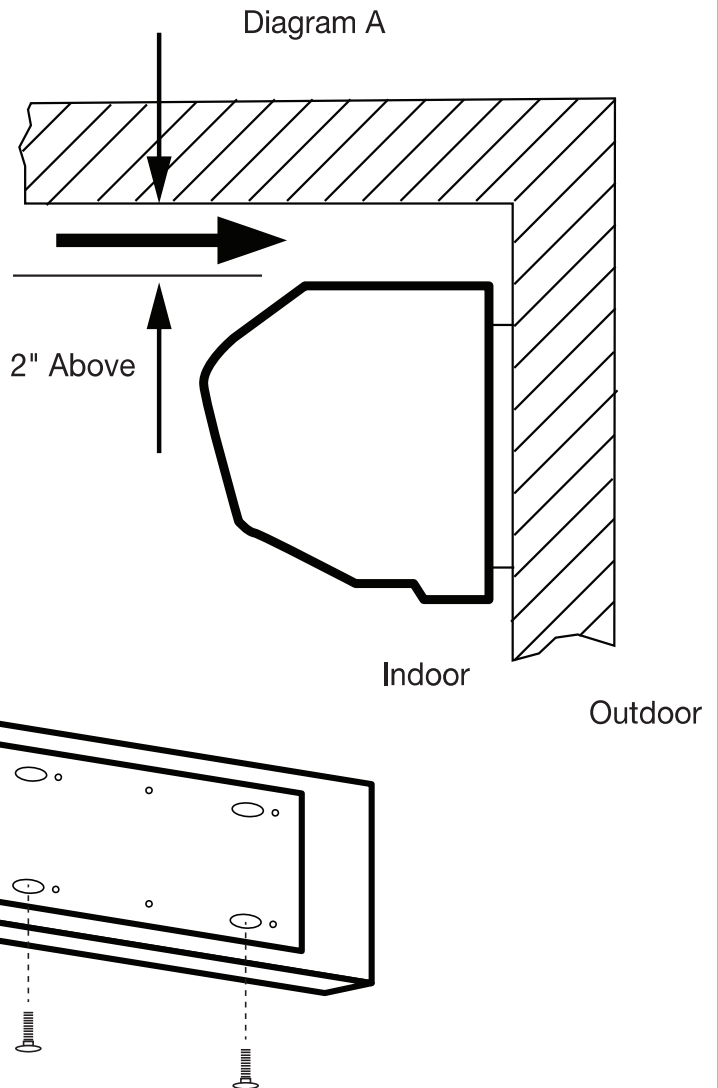


4. INSTALLATION METHOD

⚠ WARNING

INSTALLATION AND ELECTRICAL CONNECTIONS MUST BE PERFORMED BY A QUALIFIED TECHNICIAN.

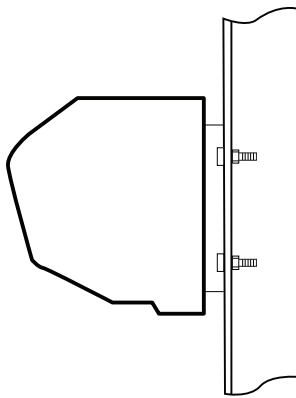
- 1) Accessories include 6 sets of (M8 x 60L) fastening bolts, washers, spring washers, and (MS) nuts.
- 2) Check to ensure the voltage / frequency on the rating label complies with the local power source prior to use.
- 3) Follow the diagram (A) to reference the proper installation position.
- 4) Coverage height is 99 inches for horizontal Air Curtain installations.
- 5) Wall installation:
 - a. Remove the INSTALLATION PLATE by unscrewing the fixing screws down the REAR of the plate.



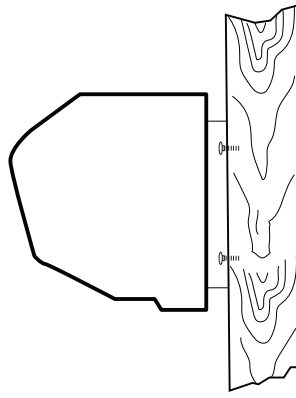
Air Curtain

b. Mount the INSTALLATION PLATE to the wall:

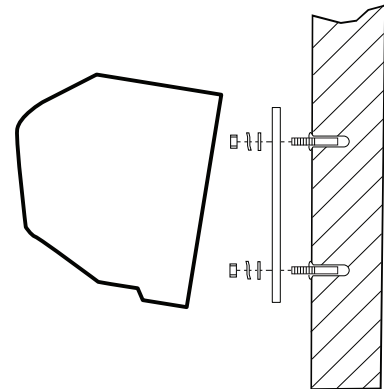
- Adjust the unit position to your requirements.
- Depending on type of installation fasten the INSTALLATION PLATE to the wall using the washers, spring washers, and nuts. See the details below.
- Ensure the INSTALLATION PLATE is secure.



Installation on Steel Framework

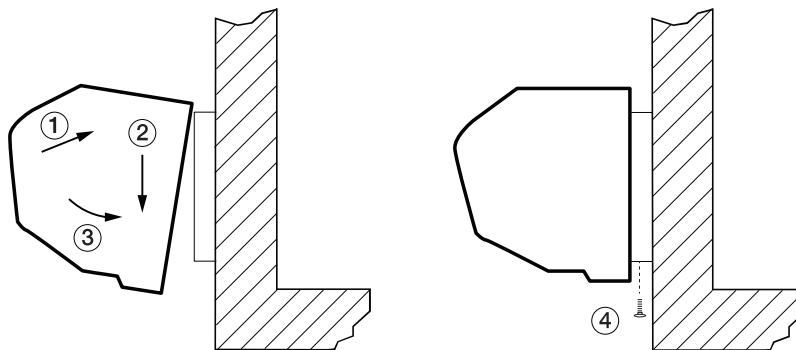


Installation on Wooden Framework



Installation on Cement Wall

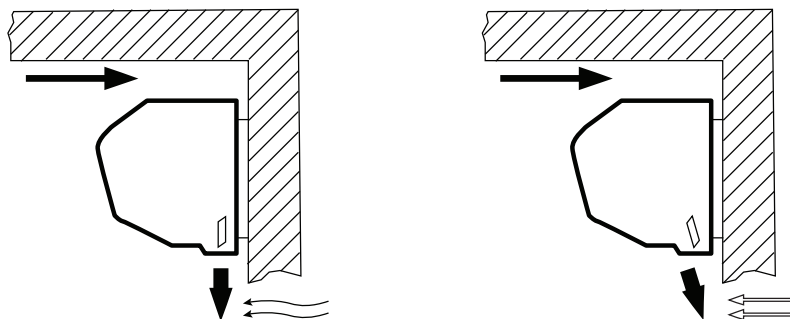
c. Install the BODY by hanging it onto the INSTALLATION PLATE. Verify it is properly secured and tighten the fixing screws. See the following diagram:



- 7) Use more than one Air Curtain unit with the appropriate length to support the width of a doorway.
- 8) The recommended distance between 2 adjacent units is 1-2 inches.

5. OPERATION INSTRUCTIONS

- 1) Plug the unit into an AC power outlet. (The OFF position is displayed with a lit lamp)
- 2) Select the LO or HI functions on the unit or Remote Control to regulate fan speed.
- 3) Adjust the AIR DEFLECTORS to direct air flow. See the following diagram:



6. WARNINGS AND MAINTENANCE

- 1) Be sure to install the unit in a stable environment for safety. Verify installation quality.
- 2) Do NOT install the Air Curtain within close proximity of water, high temperatures, or explosive / corrosive gases.
- 3) In case of malfunction or damage, a qualified technician should be contacted.
- 4) Ensure proper and consistent Air Curtain maintenance. (Do NOT clean the unit with benzene or other corrosive liquids)

⚠ WARNING

Unplug the power cord prior to any routine maintenance or servicing.