



Project Name: \_\_\_\_\_

Location: \_\_\_\_\_

Item #: \_\_\_\_\_ Qty: \_\_\_\_\_

Model: \_\_\_\_\_

# INTELLIGENT SERIES SELF-CONTAINED ICE MACHINES

MODEL:  MIM200N  MIM200NH  MIM260N  MIM260NH



Maxx Ice Intelligent Series self-contained, air-cooled ice machines are perfect for any free-standing or built-in application. Available in both full or half dice cubes, each unit features a sanitary self-contained storage bin. The durable stainless steel and black trim exterior is easy to clean and service. The digital controls and front-breathing design with vertical evaporator will deliver years of reliable ice production.

## FEATURES AND CONSTRUCTION

- Stainless steel, black trim exterior
- Air-cooled compressor
- Programmable, user-friendly digital controls
- Digital screen displays ice machine status
- Automatic cleaning cycle and bin overflow prevention
- Internal blue LED light
- 6" adjustable leveling legs
- Includes ice scoop with internal scoop holder
- Antimicrobial agent within polyethylene storage bin liner for improved sanitation

## DAILY ICE PRODUCTION

Air Temp 70°F (21°C) / Water Temp 50°F (10°C)

MIM200N/NH ..... 199 lbs (90 kg)

MIM260N/NH ..... 265 lbs (120 kg)

Air Temp 90°F (32°C) / Water Temp 70°F (21°C)

MIM200N/NH ..... 153 lbs (70 kg)

MIM260N/NH ..... 217 lbs (99 kg)

## ICE BIN STORAGE CAPACITY

MIM200N/NH ..... 75 lbs (34 kg)

MIM260N/NH ..... 75 lbs (34 kg)

## OPERATING REQUIREMENTS

Ambient Air Temperature Range..... 50° to 100°F (10° to 38°C)

Water Temperature Range ..... 41° to 90°F (5° to 32°C)

Water Usage per 100 lbs of ice..... 13.3 Gallons (50L)

Water Supply Line Connection ..... 3/8" FPT

Water Pressure Range:

Min PSI..... 15                      Max PSI ..... 80\*

Min Bar ..... 1.0                      Max Bar..... 5.5

\*Above 80 PSI requires a regulator

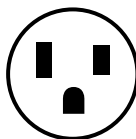
Energy Consumption per 100 lbs of ice:

MIM200N/NH ..... 8.17 kWh/100 lbs

MIM260N/NH ..... 7.15 kWh/100 lbs

## ELECTRIC

115V / 60Hz / 1Ph  
(230V / 50-60Hz / 1Ph is available as an option)  
6' (2m) NEMA 5-15P cord set included



NEMA 5-15P

## 3RD PARTY APPROVALS



Certified to ANSI NSF 12



Certified to ANSI UL 563



DOE 2018 Compliant



Zero Ozone Depletion Potential

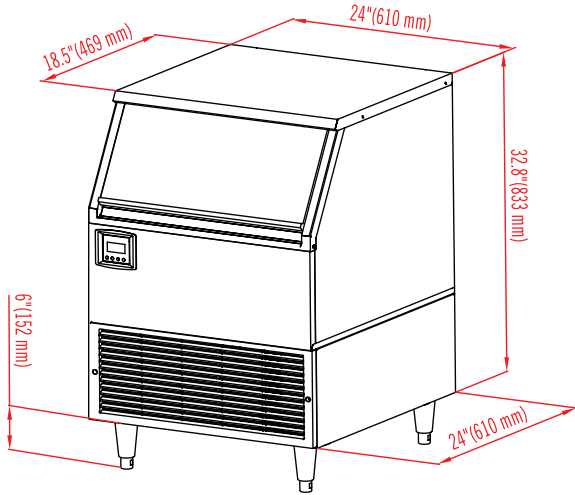
## MAXX ICE WARRANTY (USA / CANADA)

Contact Maxx Ice for warranty statement at  
TechnicalServices@TheLegacyCompanies.com or 877.368.2797

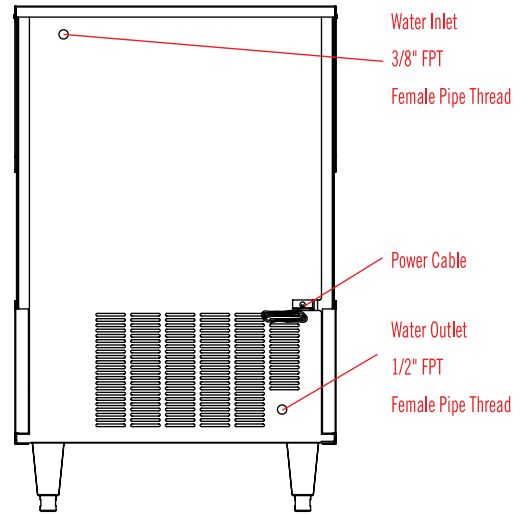


# MAXX ICE

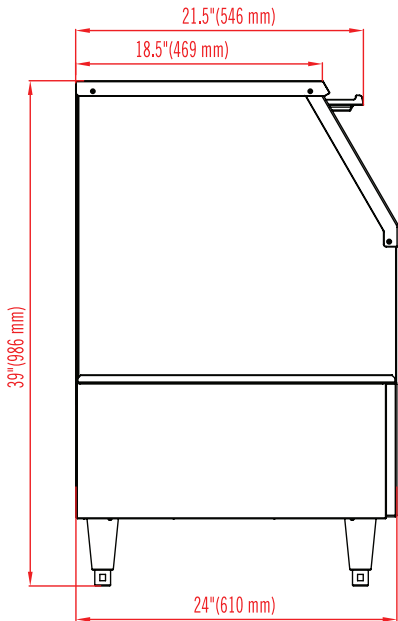
## INTELLIGENT SERIES SELF-CONTAINED ICE MACHINES



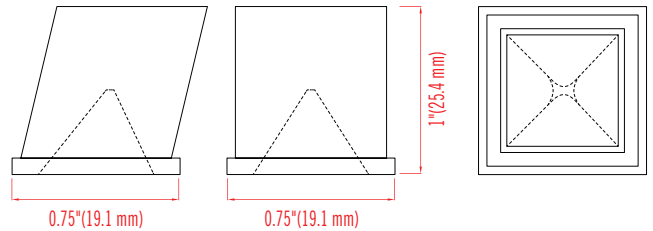
REAR VIEW



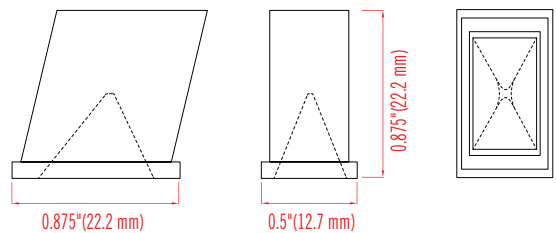
SIDE VIEW



FULL DICE CUBE (N MODELS)



HALF DICE CUBE (NH MODELS)



MODEL	EXTERNAL DIMENSIONS	DAILY ICE PRODUCTION (70°F Air / 50°F Water)	ICE BIN STORAGE CAPACITY	NET WEIGHT / SHIPPING WEIGHT	AMP DRAW (MAKING / HARVESTING)	REFRIGERANT AND CHARGE SIZE	ELECTRICAL
MIM200N/NH	24" x 24" x 39" (610 x 610 x 986 mm)	199 lbs (90 kg)	75 lbs (34kg)	141 lbs (64 kg) 157 lbs (71.5 kg)	7A / 7.4A	R-404a 8.11oz (230g)	115V / 60Hz / 1Ph
MIM260N/NH	24" x 24" x 39" (610 x 610 x 986 mm)	265 lbs (120 kg)	75 lbs (34kg)	144 lbs (65 kg) 160 lbs (72.5 kg)	7.1A / 9.8A	R-404A 10.6oz (300g)	115V / 60Hz / 1Ph

### INSTALLATION

- A clearance of 2" from the wall is recommended to promote adequate cooling air circulation
- A gravity drain line is required to install this ice machine
- For optimal performance, the use of a water filter is recommended