

PROJECT:	
MODEL #:	
ITEM #:	QTY:
AVAILABLE W/H:	APPROVAL:

## Pizza Prep Tables Drawer Models



BAPP67-D2L-HC



BAPP67-D2R-HC

\* Door and Drawer configurations are interchangeable.

### STANDARD FEATURES

#### Cabinet construction

- Stainless steel cabinet construction  
Stainless steel interior and exterior (galvanized steel back & bottom).
- High density foamed in place polyurethane insulation – Environmentally safe.
- Drop-in section:  
Fans force cold air into this enclosed area keeping stored food items consistently cold
- Insulated pan cover with a stainless steel divider which prevents food spillage into the storage area beneath
- Unit accommodates 4" and 6" deep pans (Pans not included)
- Side rail cutting board bracket with 19" deep, 1/2" thick cutting board included
- Four (4) 4" diameter swivel casters with front brakes standard.

#### Refrigeration

- Hydrocarbon refrigerants (R-290) – increases energy efficiency by up to 25% compared to using HFC refrigerants. It is safer for the environment and does not cause ozone depletion.
- Front breathing, side mounted compressor unit. Compressor configuration allows unit to be efficient in narrow spaces and be serviced without being moved.
- Epoxy coated evaporator reduces potential corrosion
- Innovative hot gas frame heating system reduces condensation and increases energy efficiency.
- Refrigerators have a temperature range between 33°F ~ 39°F

#### Drawer

- Durable drawer gasket with easy replacement.
- Lifetime guaranteed heavy duty all metal handles. (Ni-Cr Plated)

#### Standard

- NSF/ANSI Standard 7 compliant

#### Connection

- 9 ft long flexible three wire cord with molded plug

#### Optional Features & Accessories

- 2.5" diameter casters available
- 6" adjustable feet available
- 1/3 pans available



#### WARRANTY

3 Years Parts and Labor  
5 Years on Compressor in USA

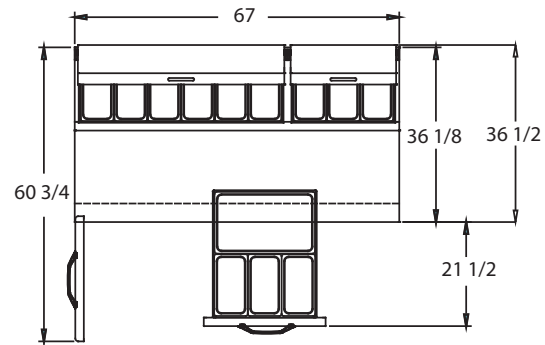
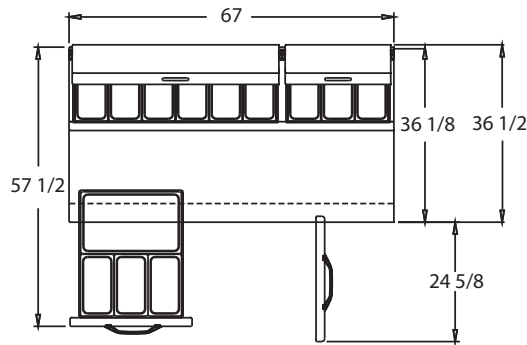
#### APPROVALS:

#### AVAILABLE AT:

# Pizza Prep Tables Drawer Models

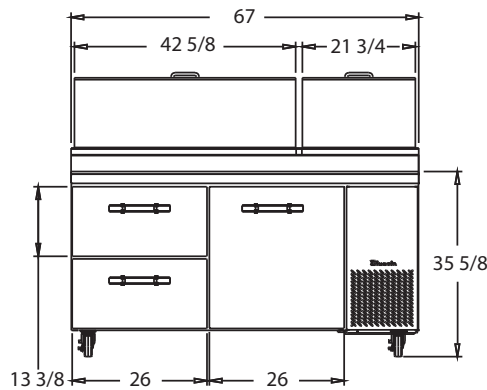
## PRODUCT PLAN VIEW

- Top View -

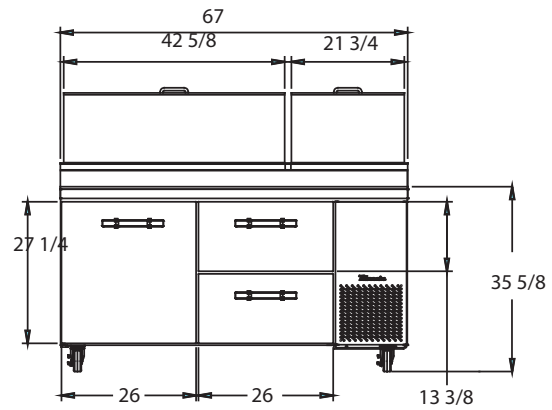


- Front View -

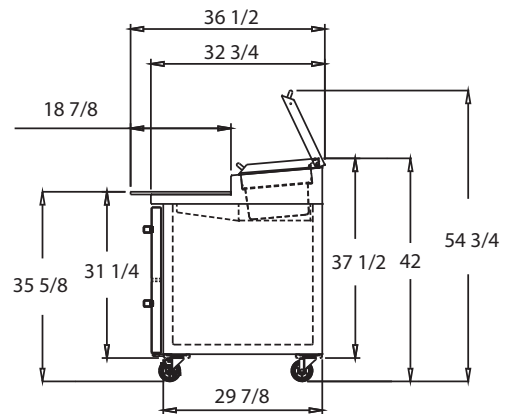
**BAPP67-D2L-HC**



**BAPP67-D2R-HC**



- Side View -



## PRODUCT SPECIFICATION

Model	Product Description			Refrigerant	Temperature Range	Easy Maintenance			Cord Length (ft/m)			
	Pizza Prep Tables Drawer Models			R-290	33°F ~ 39°F	Sliding Condensing Unit			9.8ft (3m)			
	Drawers	Capacity (Cu.Ft.)	Shelves	Cabinet Dimensions (inches / mm)			HP	Voltage	Amps	NEMA config.	Weight (lbs / kg)	
L				D	H	Net Weight					Ship Weight	
BAPP67-D2L-HC	2	20.2	0	67 (1702mm)	36 1/2 (927mm)	42 (1067mm)	3/8	115V / 60Hz	3.5	NEMA 5-15	423 (192)	452 (205)
BAPP67-D2R-HC	2	20.2	0	67 (1702mm)	36 1/2 (927mm)	42 (1067mm)	3/8	115V / 60Hz	3.5	NEMA 5-15	423 (192)	452 (205)

\*BLUE AIR has the right to change specifications without further notice.

**Blueair**  
FOOD SERVICE EQUIPMENT LLC

www.blueairfse.com  
info@blueairfse.com  
**1.886.677.8500**

223 W. Rosecrans Ave., CA 90248  
T: 310.808.0102 F: 310.808.0242  
9 W. Shelton Terrace #A, Hillside, NJ 07205  
T: 310.808.0102 F: 310.808.0242