



## SD-36 CURVED GLASS DELI CASE

UNITS MANUFACTURED PRIOR 10-1-18

INCLUDE 1 YEAR PARTS + LABOR / 5 YEAR COMPRESSOR WARRANTY

UNITS MANUFACTURED AFTER 10-1-18

INCLUDE 2 YEAR PARTS + LABOR / 5 YEAR COMPRESSOR WARRANTY

### Dimensions

Exterior Dimensions (W x D x H)	35.43" x 33.5" x 47.25"
Interior Dimensions (W x D x H)	27.56" x 27" x 22"
Packaging Dimensions (W x D x H)	39" x 36.25" x 51"
Packaged Weight	528 lbs

### Construction

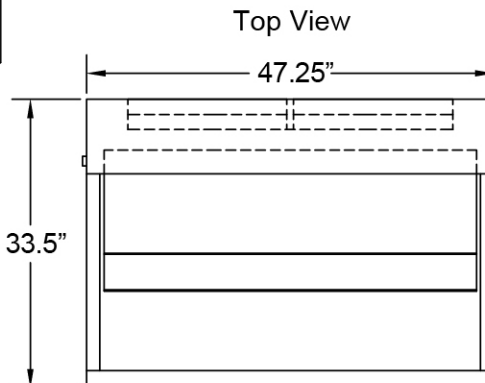
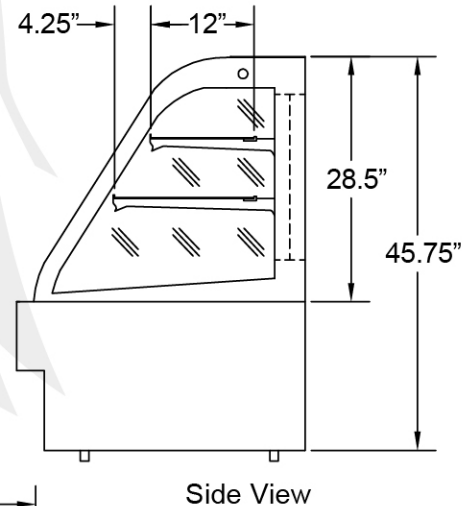
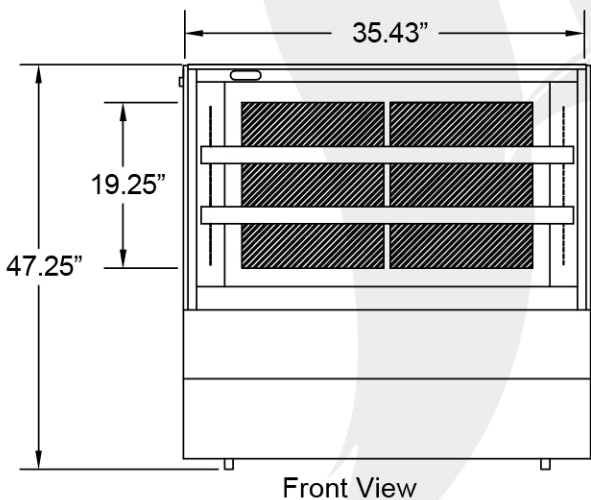
Exterior Material	201 series stainless steel
Interior Material	Glass
Insulation Material	Foamed in place polyurethane
Shelf Load Capacity	44 lbs

### Electrical

Fuse	25A
Voltage	110
Hz	60
Phase	1

### Cooling

Temperature Range	33° - 40° F
Refrigerant	R290
Maximum Ambient	90° F
Defrosting	Automatic
Temperature Display	Yes
Temperature Controller	Mechanical
Compressor	SC 12G Secop
Condenser	4*10*290
Evaporator	4*5*550
Cap Tube	φ1.2*1800
Fan Condenser	YZF18-30
Fan Evaporator	120*120
Thermostat	SF-212S



NEMA 5-15

